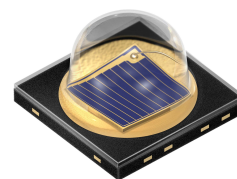


OSLON Black Series (850 nm) - 90°

Version 1.3

SFH 4715AS



Features:

- IR lightsource with high efficiency
- Double Stack emitter
- Low thermal resistance (Max. 9 K/W)
- Centroid wavelength 850 nm
- Superior Corrosion Robustness (see chapter package outlines)
- The product qualification test plan is based on the guidelines of AEC-Q101-REV-C, Stress Test Qualification for Automotive Grade Discrete Semiconductors.

Applications

- Infrared Illumination for cameras
- Surveillance systems
- Machine vision systems
- Eye tracking systems

Notes

Depending on the mode of operation, these devices emit highly concentrated non visible infrared light which can be hazardous to the human eye. Products which incorporate these devices have to follow the safety precautions given in IEC 60825-1 and IEC 62471.

Ordering Information

| Type: | Radiant Intensity I_e [mW/sr] $I_F = 1 \text{ A}, t_p = 10 \text{ ms}$ | Ordering Code |
|------------|--|---------------|
| SFH 4715AS | 780 (≥ 500) | Q65111A6857 |

Note: measured at a solid angle of $\Omega = 0.01 \text{ sr}$

Maximum Ratings ($T_A = 25\text{ °C}$)

| Parameter | Symbol | Values | Unit |
|---|-------------------|-------------|-------|
| Operation and storage temperature range | $T_{op}; T_{stg}$ | -40 ... 125 | °C |
| Junction temperature | T_j | 145 | °C |
| Reverse voltage | V_R | 1 | V |
| Forward current | I_F | 1500 | mA |
| Surge current ($t_p = 2\text{ ms}$, $D = 0$) | I_{FSM} | 3 | A |
| Power consumption | P_{tot} | 5.8 | W |
| ESD withstand voltage (acc. to ANSI/ ESDA/ JEDEC JS-001 - HBM) | V_{ESD} | 2 | kV |
| Thermal resistance junction - solder point | R_{thJS} | 9 | K / W |

Note: For the forward current and power consumption please see "maximum permissible forward current" diagram

Characteristics ($T_A = 25\text{ °C}$)

| Parameter | Symbol | Values | Unit |
|--|----------------------|------------------------------------|---------------|
| Peak wavelength ($I_F = 1\text{ A}$, $t_p = 10\text{ ms}$) | λ_{peak} | 860 | nm |
| Centroid wavelength ($I_F = 1\text{ A}$, $t_p = 10\text{ ms}$) | $\lambda_{centroid}$ | 850 | nm |
| Spectral bandwidth at 50% of I_{max} ($I_F = 1\text{ A}$, $t_p = 10\text{ ms}$) | $\Delta\lambda$ | 30 | nm |
| Half angle | ϕ | ± 45 | ° |
| Dimensions of active chip area | L x W | 1 x 1 | mm x mm |
| Rise and fall times of I_e (10% and 90% of $I_{e,max}$) ($I_F = 3\text{ A}$, $R_L = 50\ \Omega$) | t_r / t_f | 11/ 14 | ns |
| Forward voltage ($I_F = 1\text{ A}$, $t_p = 10\text{ ms}$) | V_F | 3.2 (≤ 3.6) | V |
| Forward voltage ($I_F = 1.5\text{ A}$, $t_p = 100\ \mu\text{s}$) | V_F | 3.35 (≤ 3.85) | V |
| Forward voltage ($I_F = 3\text{ A}$, $t_p = 100\ \mu\text{s}$) | V_F | 3.8 (≤ 4.7) | V |
| Reverse current ($V_R = 5\text{ V}$) | I_R | not designed for reverse operation | μA |
| Total radiant flux ($I_F = 1.5\text{ A}$, $t_p = 100\ \mu\text{s}$) | Φ_e | 2000 | mW |

| Parameter | | Symbol | Values | Unit |
|---|-------|--------------|--------|--------|
| Total radiant flux ($I_F = 1 \text{ A}$, $t_p = 10 \text{ ms}$) | (typ) | Φ_e | 1340 | mW |
| Temperature coefficient of I_e or Φ_e ($I_F = 1 \text{ A}$, $t_p = 10 \text{ ms}$) | (typ) | TC_I | -0.3 | % / K |
| Temperature coefficient of V_F ($I_F = 1 \text{ A}$, $t_p = 10 \text{ ms}$) | (typ) | TC_V | -2 | mV / K |
| Temperature coefficient of wavelength ($I_F = 1 \text{ A}$, $t_p = 10 \text{ ms}$) | (typ) | TC_λ | 0.3 | nm / K |

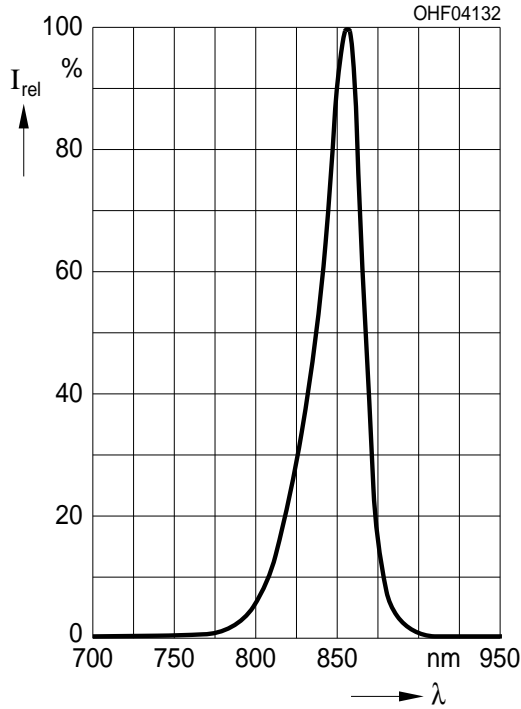
Grouping ($T_A = 25 \text{ °C}$)

| Group | Min Radiant Intensity | Max Radiant Intensity |
|----------------|--|--|
| | $I_F = 1 \text{ A}$, $t_p = 10 \text{ ms}$ $I_{e, \min}$ [mW / sr] | $I_F = 1 \text{ A}$, $t_p = 10 \text{ ms}$ $I_{e, \max}$ [mW / sr] |
| SFH4715AS - DB | 500 | 800 |
| SFH4715AS - EA | 630 | 1000 |

Note: measured at a solid angle of $\Omega = 0.01 \text{ sr}$
Only one group in one packing unit (variation lower 1.6:1).

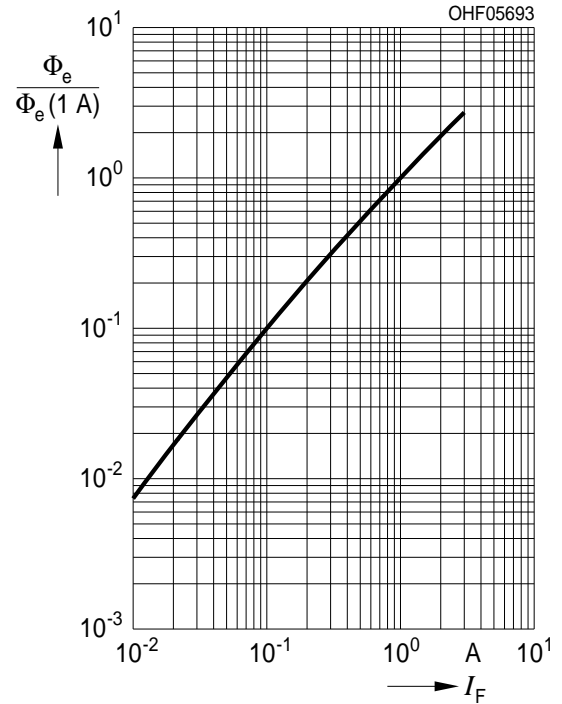
Relative Spectral Emission ^{1) page 13}

$I_{rel} = f(\lambda)$, $T_A = 25\text{ }^\circ\text{C}$, $I_F = 1\text{ A}$, $t_p = 10\text{ ms}$



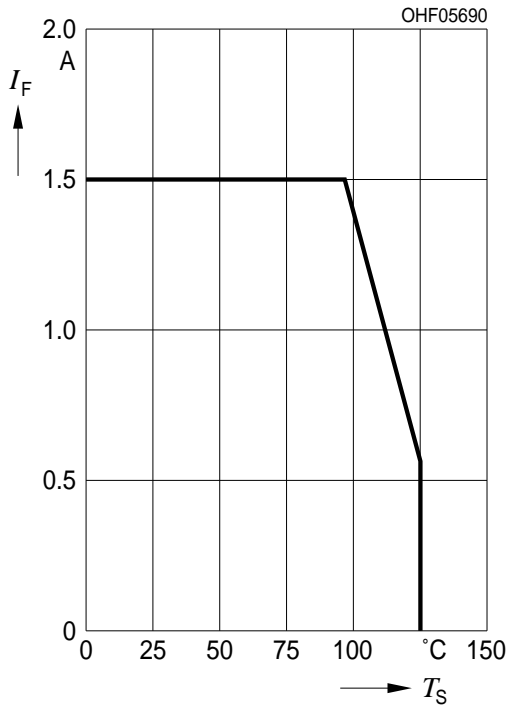
Relative Total Radiant Flux ^{1) page 13}

$\Phi_e / \Phi_e(1\text{ A}) = f(I_F)$, $T_A = 25\text{ }^\circ\text{C}$, Single pulse, $t_p = 100\text{ }\mu\text{s}$



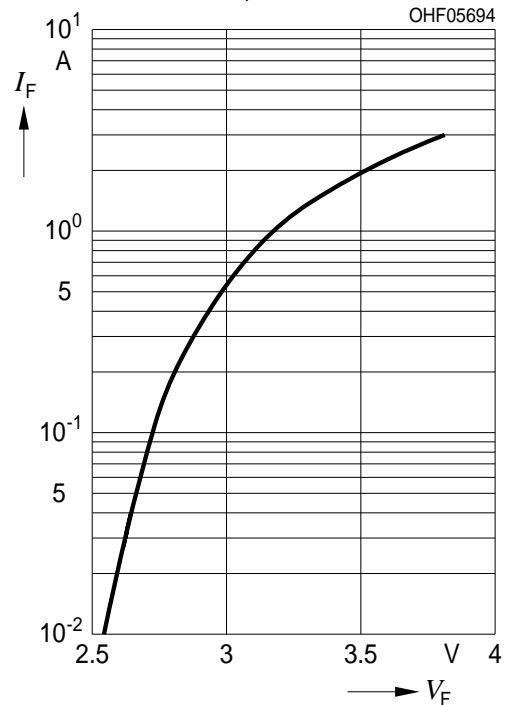
Max. Permissible Forward Current

$I_F = f(T_S)$, $R_{thJS} = 9\text{ K/W}$



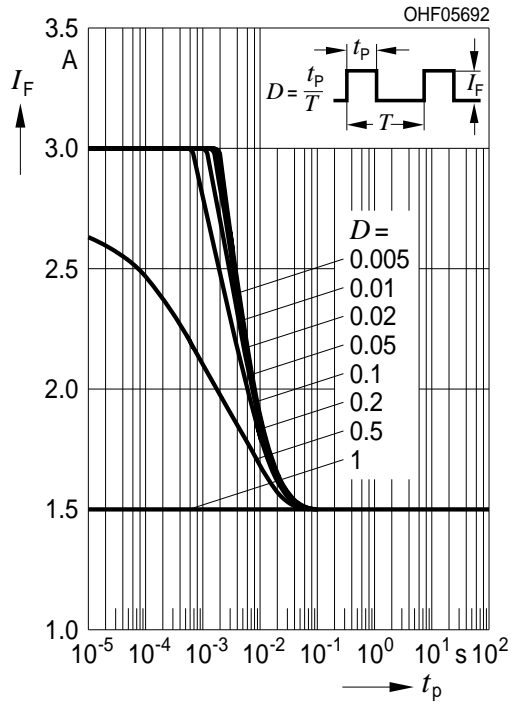
Forward Current ^{1) page 13}

$I_F = f(V_F)$, single pulse, $t_p = 100\text{ }\mu\text{s}$, $T_A = 25\text{ }^\circ\text{C}$



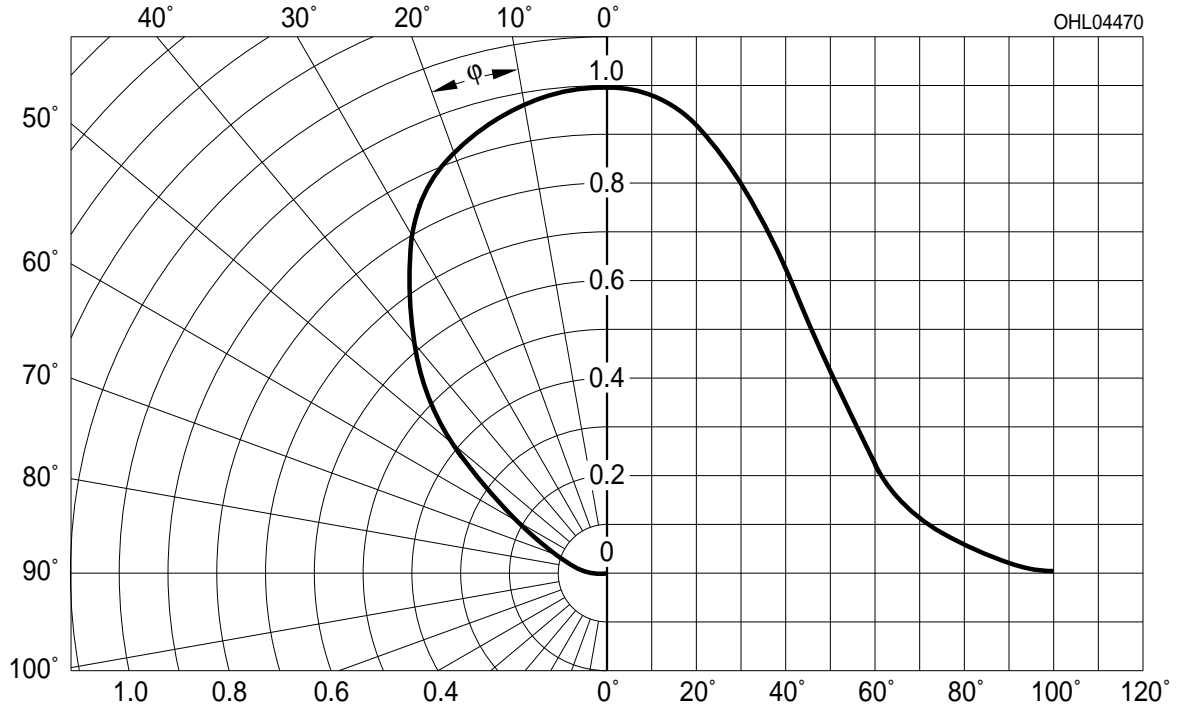
Permissible Pulse Handling Capability

$I_F = f(t_p)$, $T_S = 85\text{ °C}$, duty cycle $D = \text{parameter}$

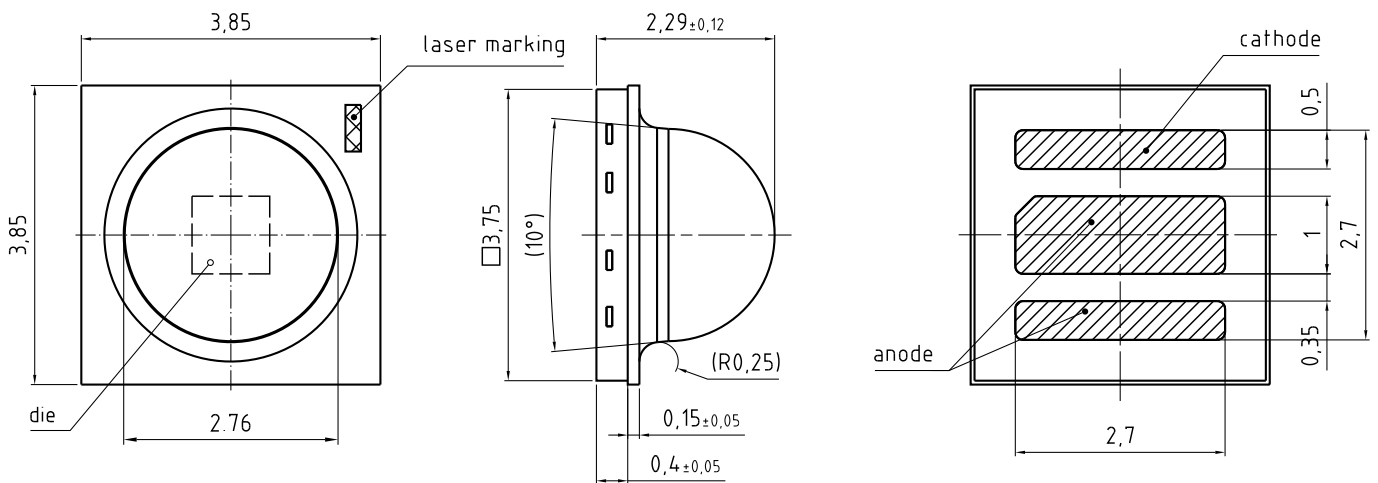


Radiation Characteristics ^{1) page 13}

$I_{rel} = f(\phi)$, $T_A = 25\text{ °C}$



Package Outline



general tolerance ± 0.1

lead finish Au 

C63062-A4141-A1...-06

Dimensions in mm.

Package

OSLON Black Series

Approximate Weight:

32 mg

Note:

Package is not suitable for ultra sonic cleaning.

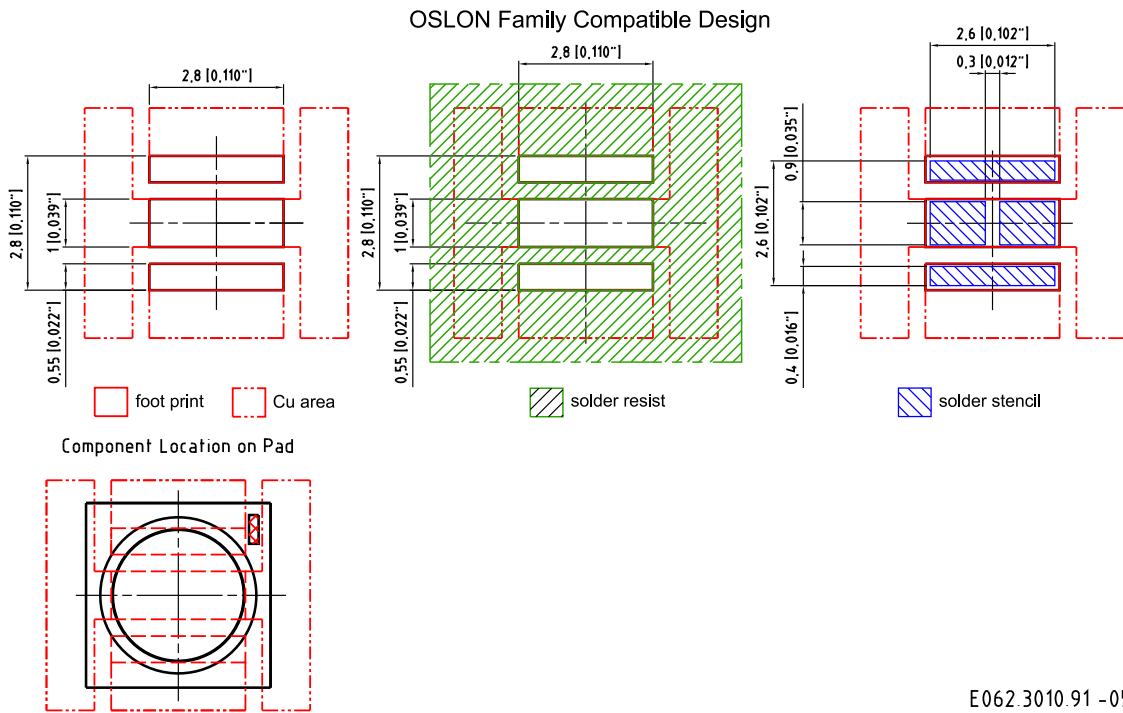
Note:

Corrosion robustness better than EN 60068-2-60 (method 4): with enhanced corrosion test: 40°C / 90%rh / 15ppm H₂S / 336h

Note:

Anode mark: the chamfered edge of the center pad points to the cathode

Recommended Solder Pad



E062.3010.91 -05

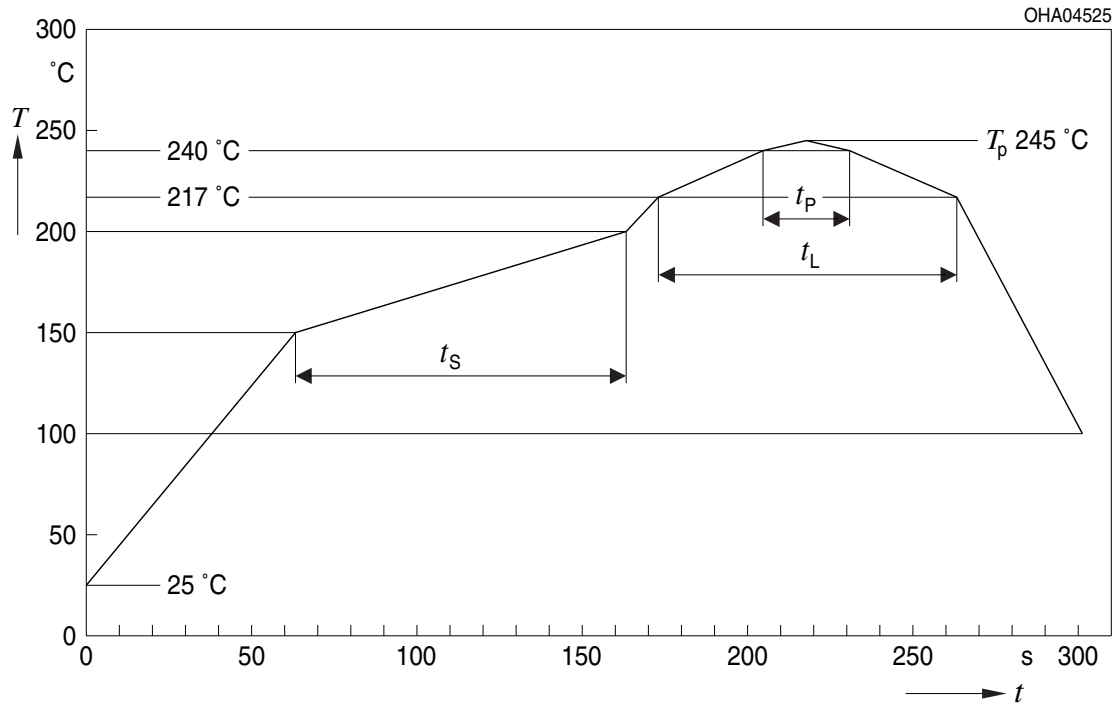
Dimensions in mm [inch].

Note:

For superior solder joint connectivity results we recommend soldering under standard nitrogen atmosphere.

Reflow Soldering Profile

Product complies to MSL Level 2 acc. to JEDEC J-STD-020D.01



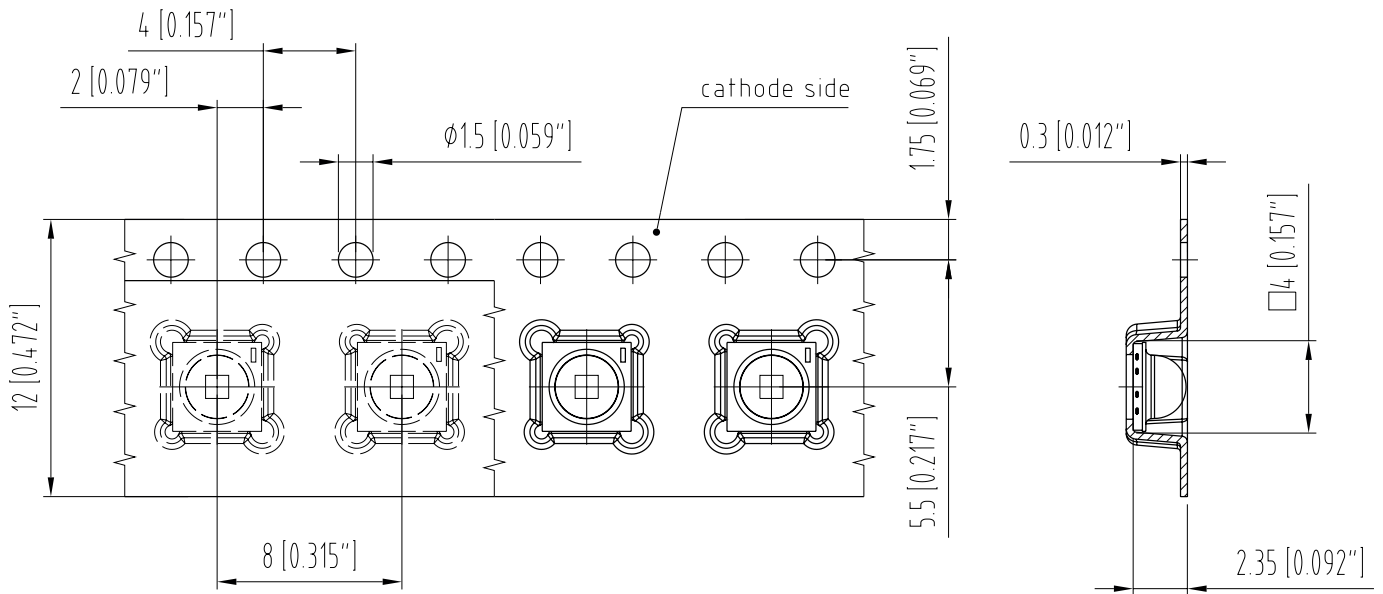
OHA04612

| Profile Feature Profil-Charakteristik | Symbol Symbol | Pb-Free (SnAgCu) Assembly | | | Unit Einheit |
|---|------------------|---------------------------|----------------|---------|-----------------|
| | | Minimum | Recommendation | Maximum | |
| Ramp-up rate to preheat*) 25 °C to 150 °C | | | 2 | 3 | K/s |
| Time t_S T_{Smin} to T_{Smax} | t_S | 60 | 100 | 120 | s |
| Ramp-up rate to peak*) T_{Smax} to T_P | | | 2 | 3 | K/s |
| Liquidus temperature | T_L | | 217 | | °C |
| Time above liquidus temperature | t_L | | 80 | 100 | s |
| Peak temperature | T_P | | 245 | 260 | °C |
| Time within 5 °C of the specified peak temperature $T_P - 5$ K | t_P | 10 | 20 | 30 | s |
| Ramp-down rate* T_P to 100 °C | | | 3 | 6 | K/s |
| Time 25 °C to T_P | | | | 480 | s |

All temperatures refer to the center of the package, measured on the top of the component

* slope calculation DT/Dt : Dt max. 5 s; fulfillment for the whole T-range

Taping

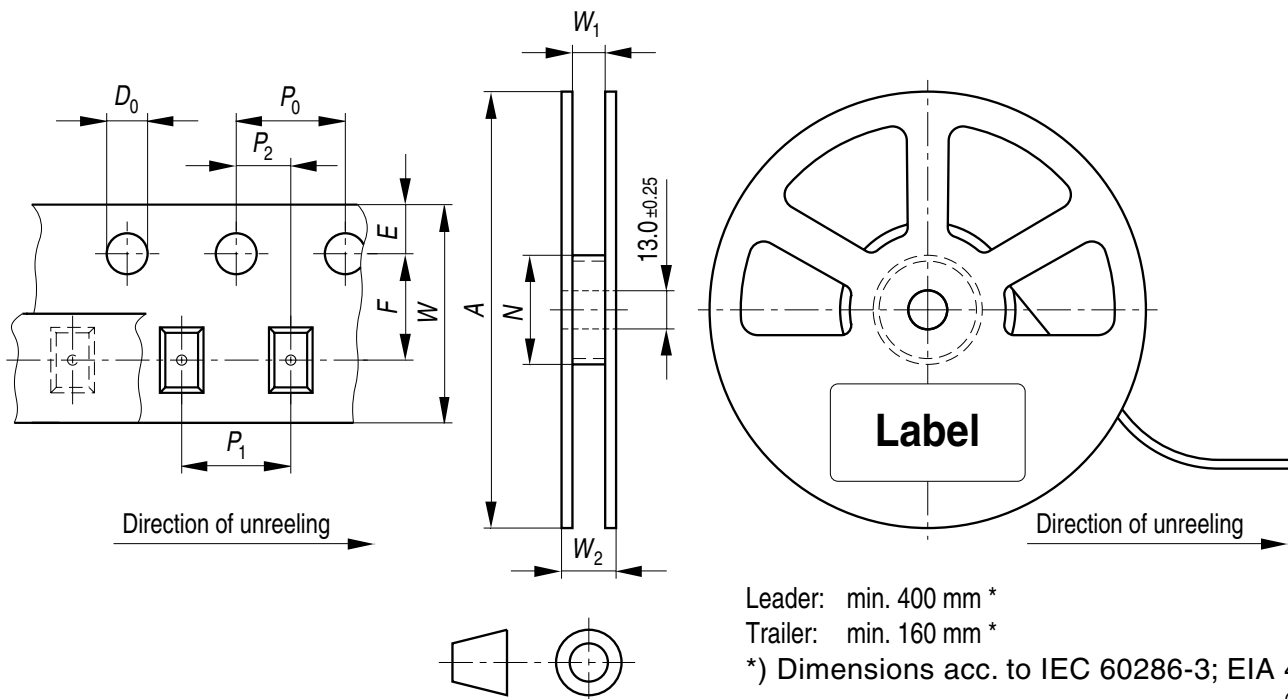


C63062-A4068-B10-08

Dimensions in mm [inch].

Tape and Reel

12 mm tape with 600 pcs. on ϕ 180 mm reel



Leader: min. 400 mm *

Trailer: min. 160 mm *

*) Dimensions acc. to IEC 60286-3; EIA 481-D

OHAY0324

Tape dimensions [mm]

| W | P ₀ | P ₁ | P ₂ | D ₀ | E | F |
|------------------|----------------|--------------------------|----------------|----------------|------------|------------|
| 12 + 0.3 / - 0.1 | 4 ± 0.1 | 4 ± 0.1 or 8 ± 0.1 | 2 ± 0.05 | 1.5 ± 0.1 | 1.75 ± 0.1 | 5.5 ± 0.05 |

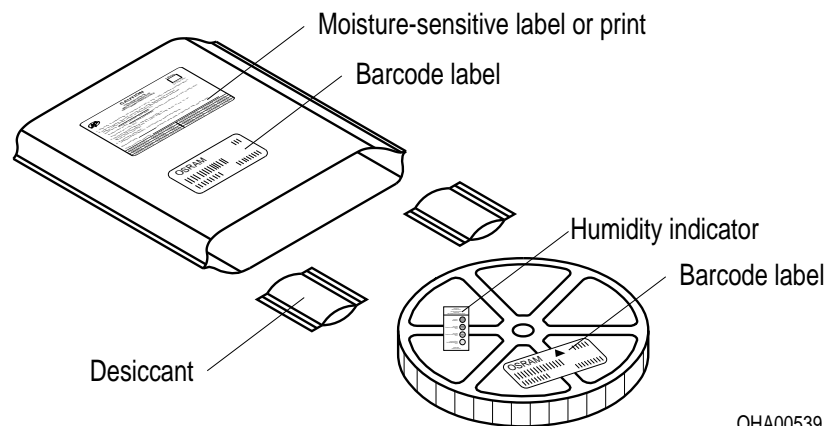
Reel dimensions [mm]

| A | W | N _{min} | W ₁ | W _{2max} |
|-----|----|------------------|----------------|-------------------|
| 180 | 12 | 60 | 12.4 + 2 | 18.4 |

Barcode-Product-Label (BPL)



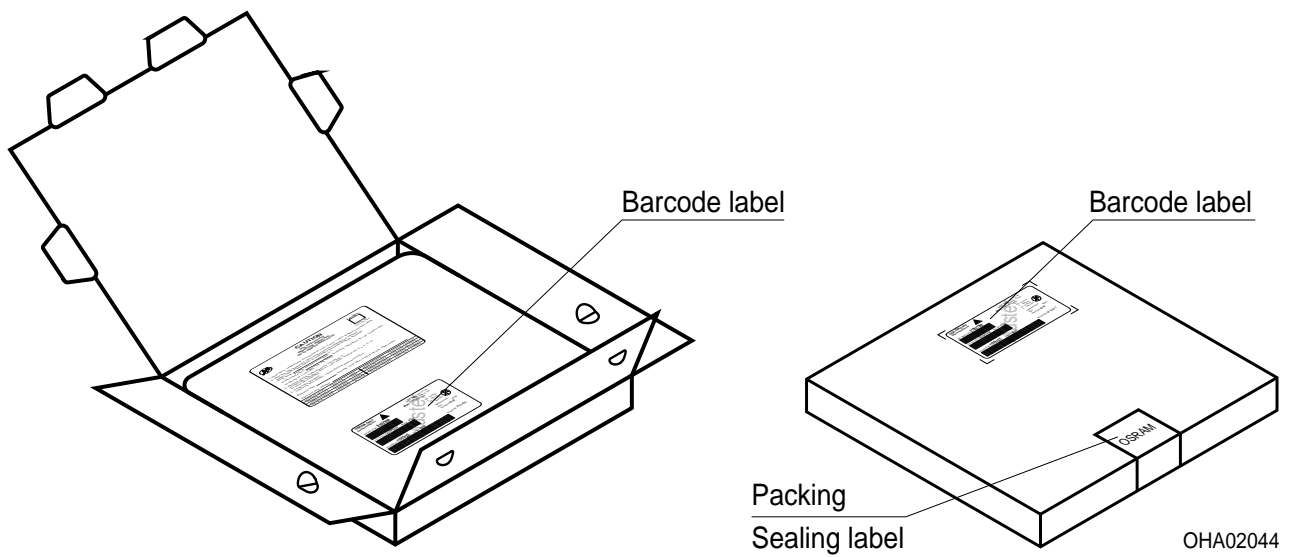
Dry Packing Process and Materials



Note:

Moisture-sensitive product is packed in a dry bag containing desiccant and a humidity card. Regarding dry pack you will find further information in the internet. Here you will also find the normative references like JEDEC.

Transportation Packing and Materials



Dimensions of transportation box in mm

| Width | Length | Height |
|---------|---------|--------|
| 195 ± 5 | 195 ± 5 | 30 ± 5 |

Disclaimer

Language english will prevail in case of any discrepancies or deviations between the two language wordings.

Attention please!

The information describes the type of component and shall not be considered as assured characteristics.

Terms of delivery and rights to change design reserved. Due to technical requirements components may contain dangerous substances.

For information on the types in question please contact our Sales Organization.

If printed or downloaded, please find the latest version in the Internet.

Packing

Please use the recycling operators known to you. We can also help you – get in touch with your nearest sales office.

By agreement we will take packing material back, if it is sorted. You must bear the costs of transport. For packing material that is returned to us unsorted or which we are not obliged to accept, we shall have to invoice you for any costs incurred.

Components used in life-support devices or systems must be expressly authorized for such purpose!

Critical components* may only be used in life-support devices** or systems with the express written approval of OSRAM OS.

*) A critical component is a component used in a life-support device or system whose failure can reasonably be expected to cause the failure of that life-support device or system, or to affect its safety or the effectiveness of that device or system.

**) Life support devices or systems are intended (a) to be implanted in the human body, or (b) to support and/or maintain and sustain human life. If they fail, it is reasonable to assume that the health and the life of the user may be endangered.

Glossary

- ¹⁾ **Typical Values:** Due to the special conditions of the manufacturing processes of LED, the typical data or calculated correlations of technical parameters can only reflect statistical figures. These do not necessarily correspond to the actual parameters of each single product, which could differ from the typical data and calculated correlations or the typical characteristic line. If requested, e.g. because of technical improvements, these typ. data will be changed without any further notice.

Published by OSRAM Opto Semiconductors GmbH
Leibnizstraße 4, D-93055 Regensburg
www.osram-os.com © All Rights Reserved.

EU RoHS and China RoHS compliant product



此产品符合欧盟 RoHS 指令的要求；
按照中国的相关法规和标准，不含有毒有害物质或元素。