

# Customer Information Sheet

DRAWING No.: M50-330XX42

SHEET 2 OF 2

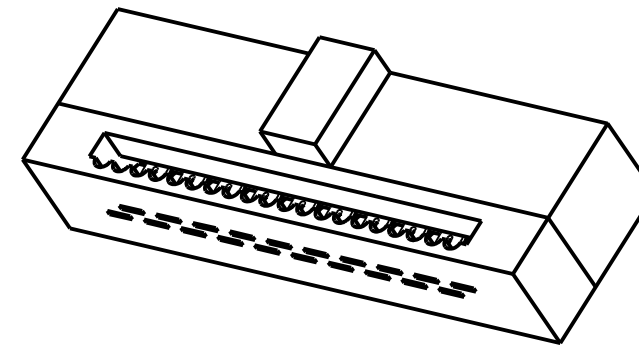
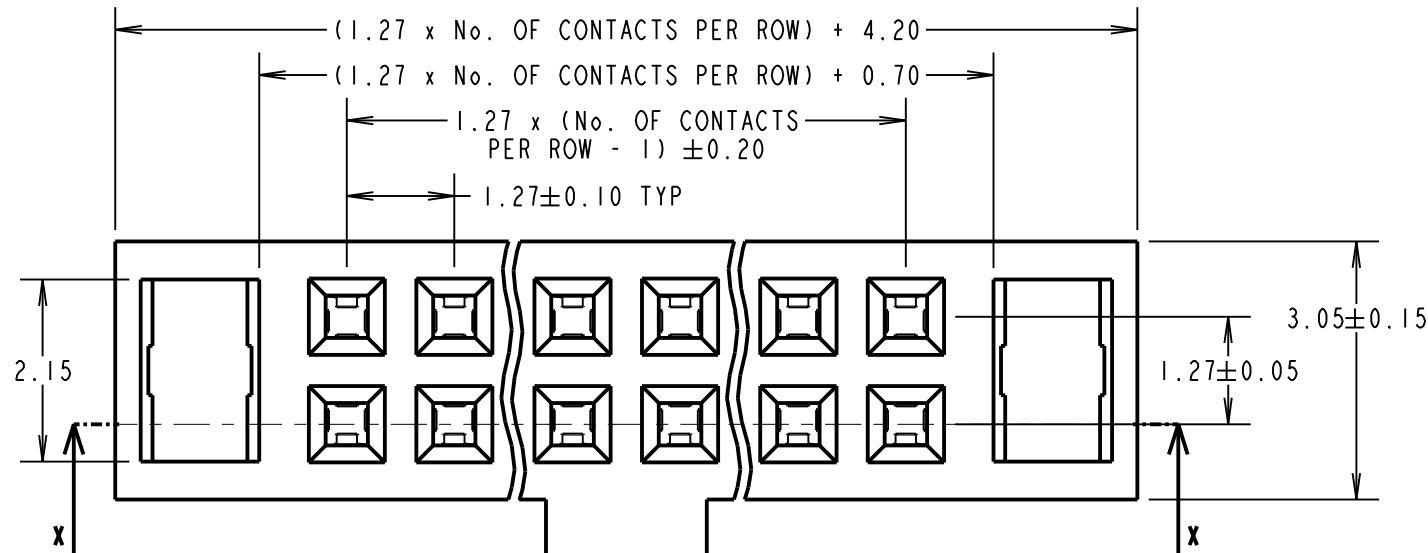
IF IN DOUBT - ASK

©

NOT TO SCALE

THIRD ANGLE PROJECTION

ALL DIMENSIONS IN mm



**SPECIFICATIONS:**

**MATERIALS:**

MOULD & CAP= PBT, 30% G/F, UL94V-0  
 CONTACT = PHOSPHOR BRONZE

**FINISH:**

42 =  $0.015-0.02\mu$  GOLD ON CONTACTS,  
 $2.54\mu$  100% TIN ON TAILS,  
 OVER  $0.76-2.03\mu$  NICKEL

**ELECTRICAL:**

RATED CURRENT = 1A  
 CONTACT RESISTANCE =  $20m\Omega$  MAX  
 WITHSTAND VOLTAGE = 1000V ACrms FOR 1 MIN  
 INSULATION RESISTANCE =  $1000M\Omega$  MIN

**MECHANICAL:**

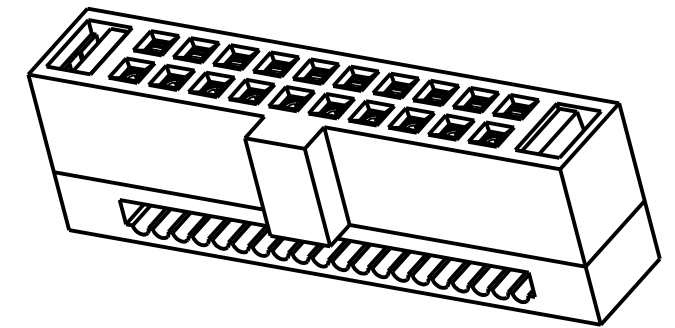
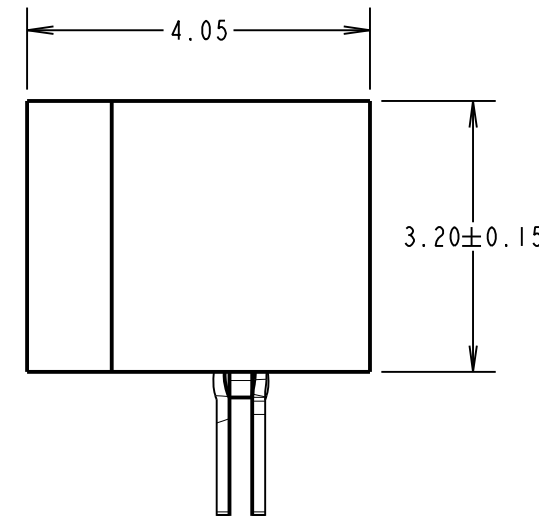
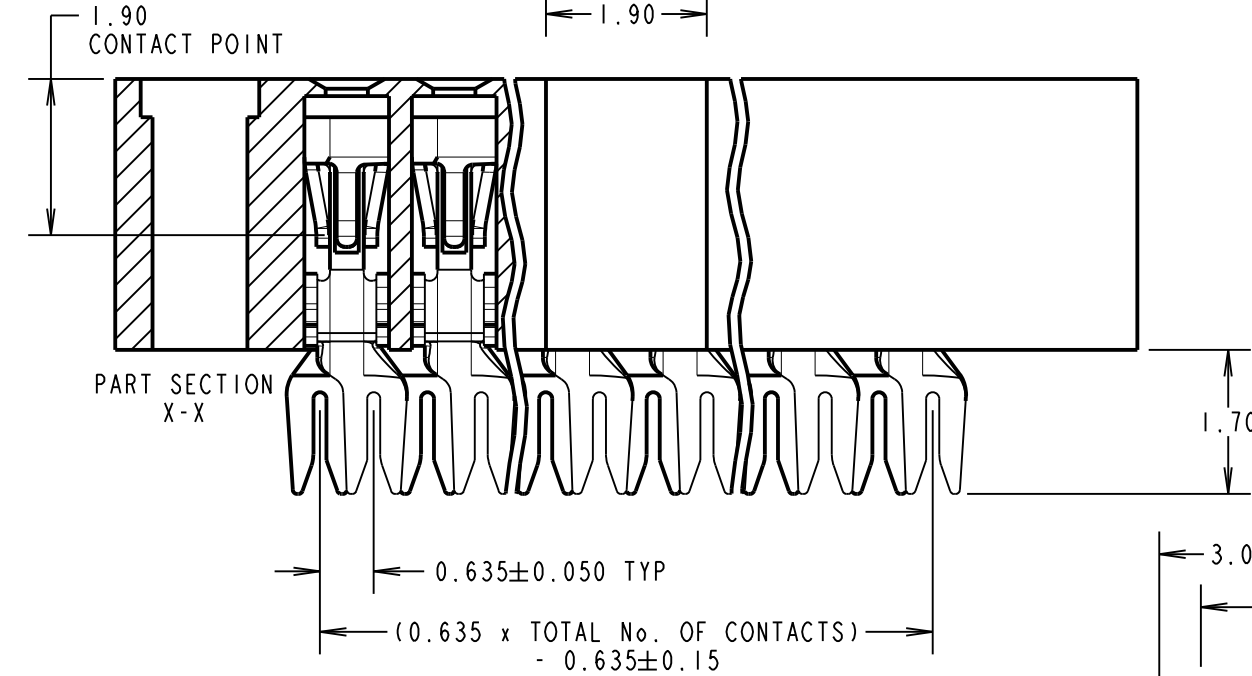
DURABILITY = 100 CYCLES MIN  
 INSERTION FORCE = 1.0N MAX PER CONTACT  
 WITHDRAWAL FORCE = 0.14N MIN PER CONTACT

**ENVIRONMENTAL:**

OPERATING TEMPERATURE =  $-40^{\circ}\text{C}$  TO  $+105^{\circ}\text{C}$

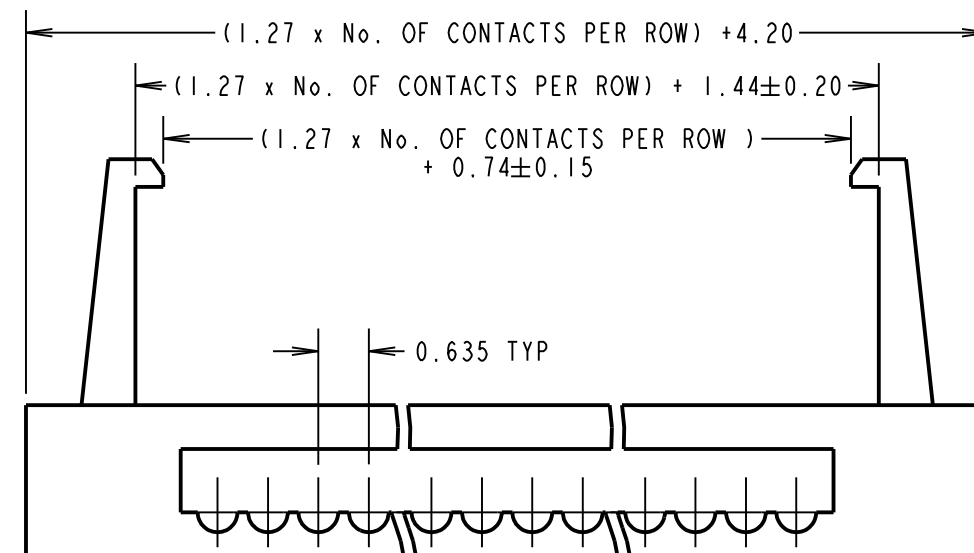
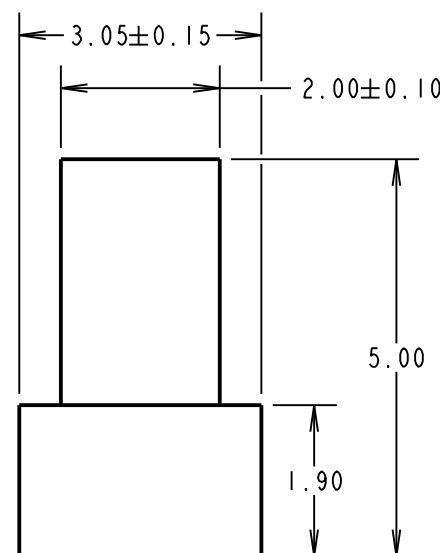
**PACKING:**

TUBE  
 FOR COMPLETE SPECIFICATION, SEE COMPONENT SPECIFICATION CO29XX (LATEST ISSUE)



**NOTES:**

- ALL TOLERANCES ARE  $\pm 0.25$  UNLESS OTHERWISE STATED.
- CONNECTOR IS RoHS AND REACH COMPLIANT.
- CONNECTOR IS TO BE USED WITH 30AWG WIRE.



MSP	8	10.08.16	13112
NAME	ISS.	DATE	C/NOTE
APPROVED:		M.PERREN	
CHECKED:		S.BENNETT	
DRAWN:		R.ADDE	
CUSTOMER REF.:			
ASSEMBLY DRG:			

**ORDER CODE: M50-330XX42**

No. OF CONTACTS PER ROW:   
 05, 06, 07, 08, 10,  
 13, 17, 20, 25

FINISH:  
 SELECTIVE GOLD, TIN

**HARWIN**

www.harwin.com  
 technical@harwin.com

THIS DRAWING AND ANY INFORMATION OR DESCRIPTIVE MATTER SET OUT HEREON ARE CONFIDENTIAL AND COPYRIGHT PROPERTY OF THE HARWIN GROUP AND MUST NOT BE DISCLOSED, LOANED, COPIED OR USED FOR MANUFACTURING, TENDERING OR FOR ANY OTHER PURPOSE WITHOUT THEIR WRITTEN PERMISSION.

**TOLERANCES**  
~~X =  $\pm 1\text{mm}$~~   
~~X.X =  $\pm 0.50\text{mm}$~~   
~~X.XX =  $\pm 0.10\text{mm}$~~   
~~X.XXX =  $\pm 0.01\text{mm}$~~   
 ANGLES =  $\pm 5^{\circ}$   
 UNLESS STATED

**MATERIAL:**

SEE ABOVE

FINISH: SEE ABOVE

S/AREA:

mm<sup>2</sup>

**TITLE:**

1.27mm DIL IDC  
 RIBBON CABLE CONNECTOR

DRAWING NUMBER:

**M50-330XX42**

SHT  
 2 OF 2