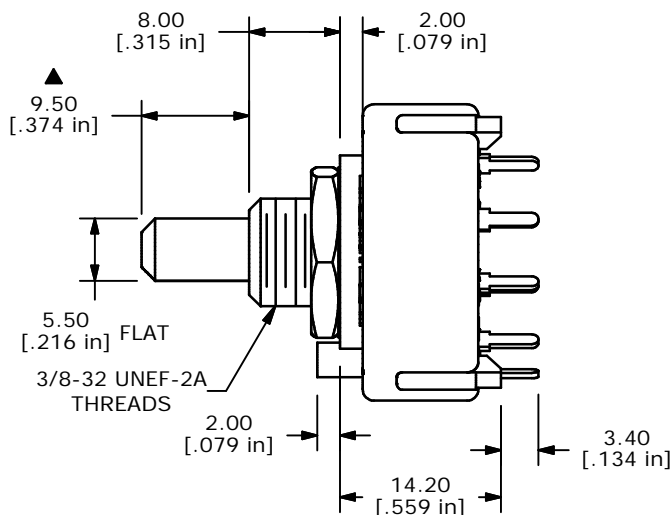
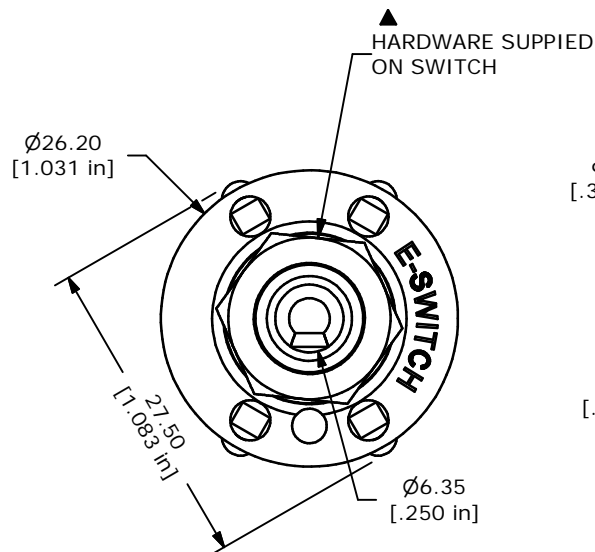


ISOMETRIC



NOTE:

1. ALL DIMENSIONS IN MM[INCH].
2. GENERAL TOLERANCE: X.X=±0.4
X.XX=±0.25
3. TERM. NOS. FOR REFERENCE ONLY.
4. CONTACT MATERIAL: GOLD FLASH
5. CONTACT RATING: 150MILLIAMPS, 250VAC/DC
350MILLIAMPS, 110VAC/DC
6. CONTACT RATING (NON-SWITCHING) 5A
7. OPERATING FORCE 425±100CM/STANDARD
8. OPERATING TEMP: -30°C TO 85°C
- ▲ 9. CIRCUIT SP: 5 POSITION 30° INDEX.
10. DIELECTRIC STRENGTH: 1000V RMS MIN.@ SEA LEVEL.
- ▲ 11. HARDWARE SUPPLIED ON SWITCH:
STOP RING, LOCKWASHER, HEXNUT
12. ▲ DENOTES CRITICAL PARAMETER.

E-SWITCH®

A	14282	RELEASED FOR PRODUCTION	9/1/04	AR
REV	PCR NO	DESCRIPTION	DATE	BY

TITLE KC15A9.501NPF				
SCALE	DATE	DR	DWG	REV
1.5:1	9/1/04	AR	G510602	A

THE INFORMATION CONTAINED IN THIS DOCUMENT IS PROPRIETARY TO E-SWITCH AND IS NOT TO BE COPIED OR TRANSFERRED