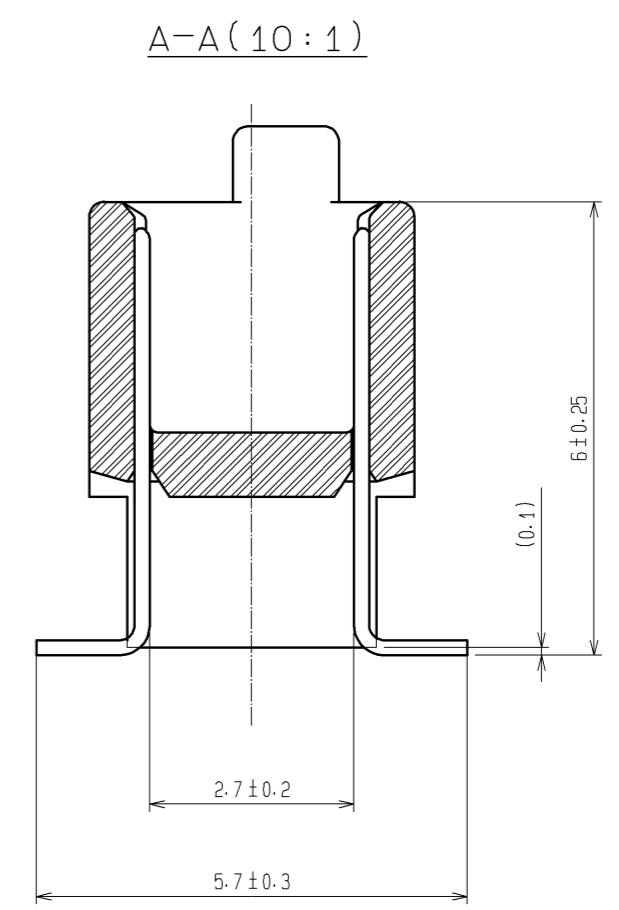
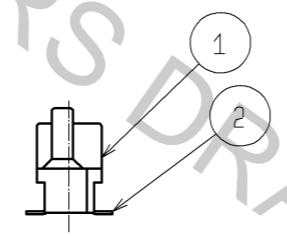
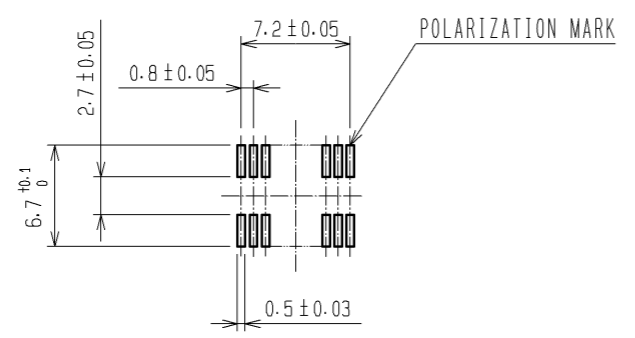


RECOMMENDED LAND PATTERN DIMENSION OF PCB (MOUNTING SIDE)
(RECOMMENDED METAL MASK THICKNESS $t=0.15$)



- NOTES
1. MARK SHOULD BE OPTIONAL.
 2. LEAD CO-PLANARITY SHALL BE 0.1mm MAX.
 3. FOR MODIFICATION, ETC., PREVENTIVE HOLE FOR SINK MARK MAY BE ADDED ACCORDING TO CIRCUMSTANCES.
 4. THE DIMENSIONS IN PARENTHESES ARE FOR REFERENCE.

1	PPS	LIGHT BROWN	UL94V-0	2	PHOSPHOR BRONZE	CONTACT AREA:GOLD 0.1 μ m min. LEAD AREA:TIN-PLATING 1 μ m min. UNDER PLATING:NICKEL 1 μ m min.		
NO.	MATERIAL	FINISH . REMARKS		NO.	MATERIAL	FINISH . REMARKS		
UNITS mm		SCALE 2 : 1	COUNT Δ	DESCRIPTION OF REVISIONS		DESIGNED	CHECKED	DATE
HRS HIROSE ELECTRIC CO., LTD.		APPROVED : HS. OKAWA	05.11.01	DRAWING NO. EDC3-071316-25				
		CHECED : HS. OZAWA	05.11.01	PART NO. FX6A-20P-0.8SV2(C71)				
		DESIGNED : TK. YANAGISAWA	05.11.01	CODE NO. CL576-0241-7-71				
		DRAWN : TK. YANAGISAWA	05.11.01					