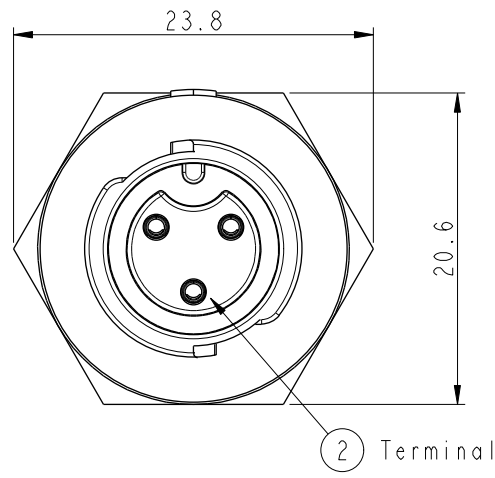
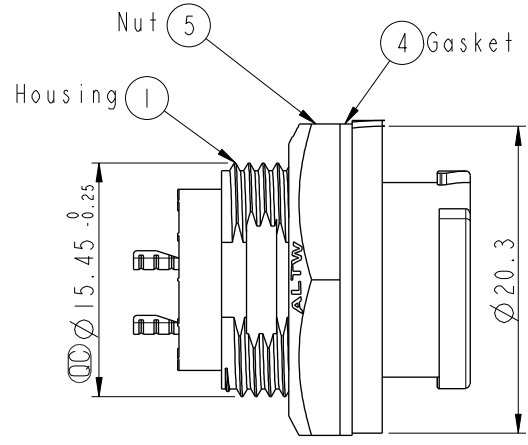
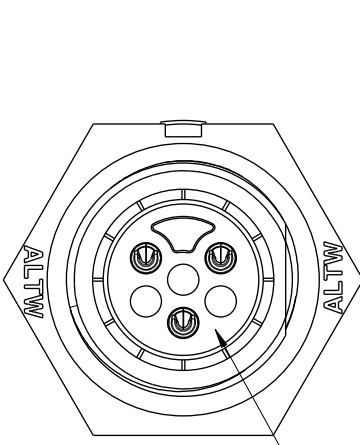


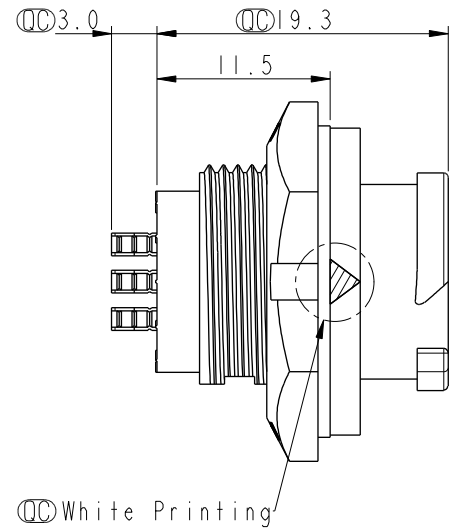
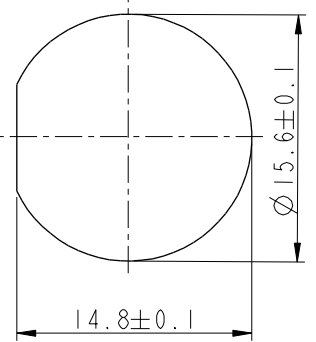
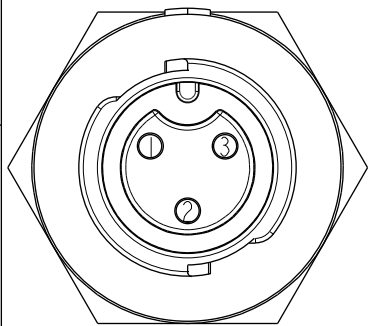
REV.	ECN NO.	DATE	SIGN	DESCRIPTION



ALTW  
CONFIDENTIAL  
2014-10-20  
R&D DEPT.

ALTW  
DCC. DEPT.  
CONFIDENTIAL  
2014.11.26  
ISSUED

Whit Liquid Glue



- Note:
- \*  $\varnothing$  Important Dimension To Check.
  - \* Waterproof Rate: IP68
  - \* Working Voltage Rating: AC 300 V
  - \* Working Current Rating: 5A
  - \* Flame Class: UL94V-0 (UV Resistance)
  - \* Housing: Nylon+GF, Black
  - \* Female Pin: Copper Alloy, Gold Plated
  - \* Nut: Nylon+GF, Black
  - \* Gasket: Silicone, Gray
  - \* Panel Thickness Max: 4.5mm

UNIT:mm  
TOLERANCE  
.X ±0.25

TITLE  
X Lok B-Size  
Receptacle M Conn F 3 Pin

SCALE 2:1 SIZE A4 SHEET 1 OF 1

REV. A WC-REV. A.1  $\varnothing$ : Inspection item

**Amphenol LTW**  
安費諾亮泰企業股份有限公司

ITEM NO BD-03RMFS-QC8001	DRAWN BY Micky	DATE 2014-10-20
DWG NO BD-03RMFS-QC8001	CHECKED BY Spring	DATE 2014-10-20
CUSTOMER ALTW	APPROVED BY Kevin	DATE 2014-10-20

THIS DOCUMENT IS SUBJECT TO CHANGE WITHOUT NOTICE. IT IS CONFIDENTIAL AND A PROPERTY OF AMPHENOL LTW. DISCLOSURE TO THIRD PARTY HAS TO BE AUTHORIZED BY AMPHENOL LTW.