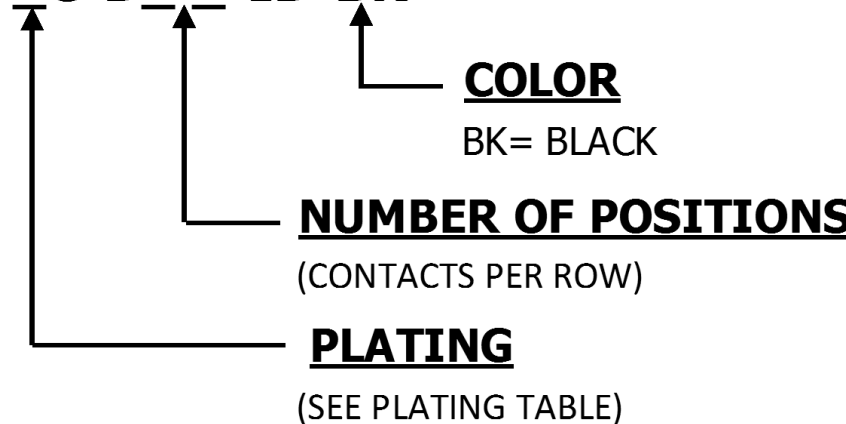


PART NUMBER CODING

SFH210-PP_C-D_-ID-BK



COLOR
BK= BLACK

NUMBER OF POSITIONS
(CONTACTS PER ROW)

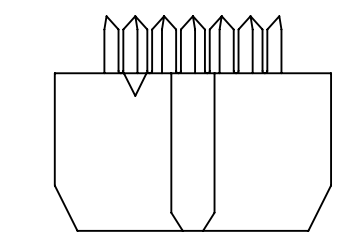
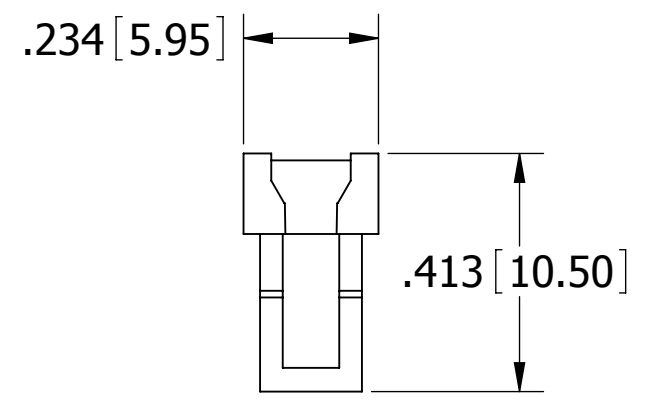
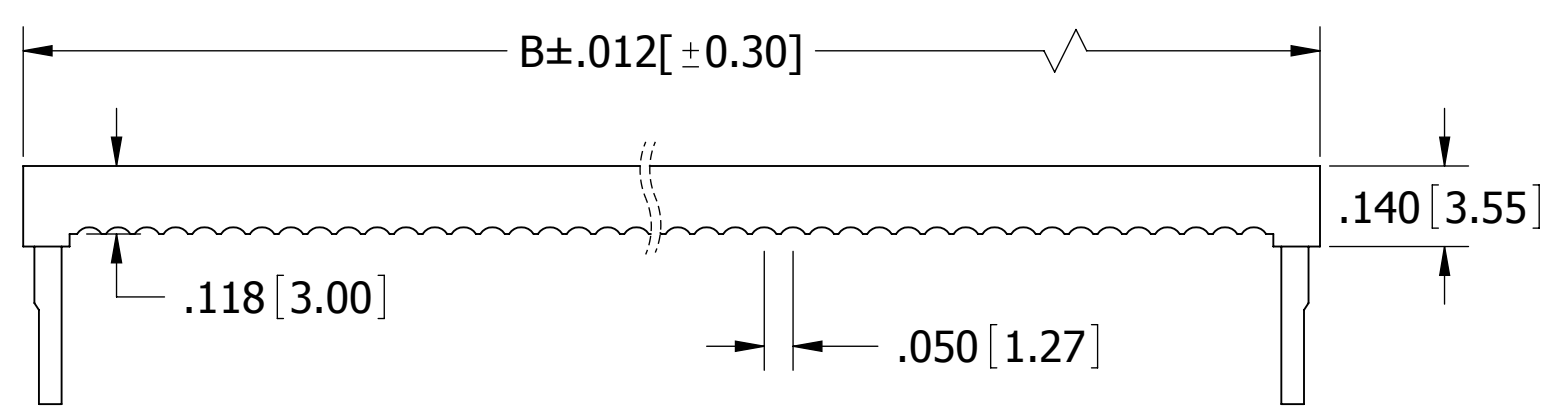
PLATING
(SEE PLATING TABLE)

PLATING TABLE

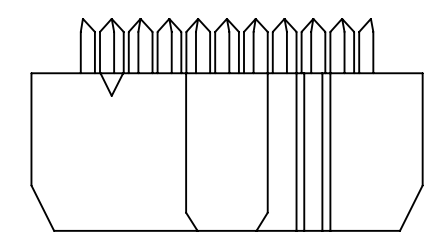
CONTACT SURFACE	TERMINATION
P = GOLD FLASH	GOLD FLASH
V = GOLD FLASH	NICKEL
K = .000015" GOLD	NICKEL
J = .000015" GOLD	GOLD FLASH
E = .000100" PURE TIN, MATTE	.000100" PURE TIN, MATTE

REVISIONS

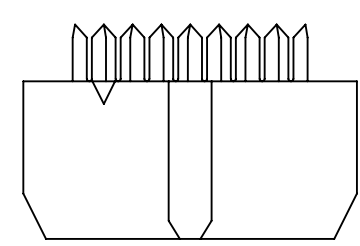
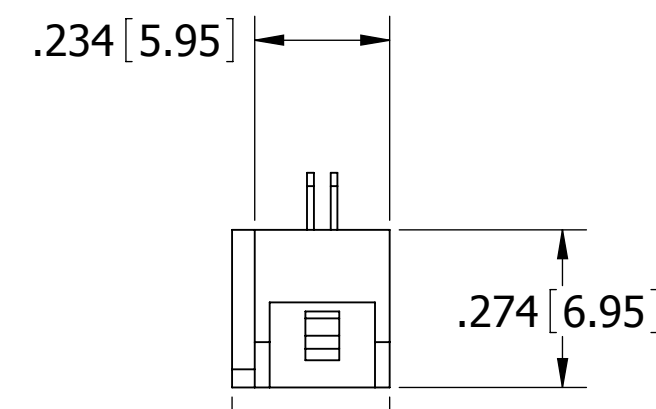
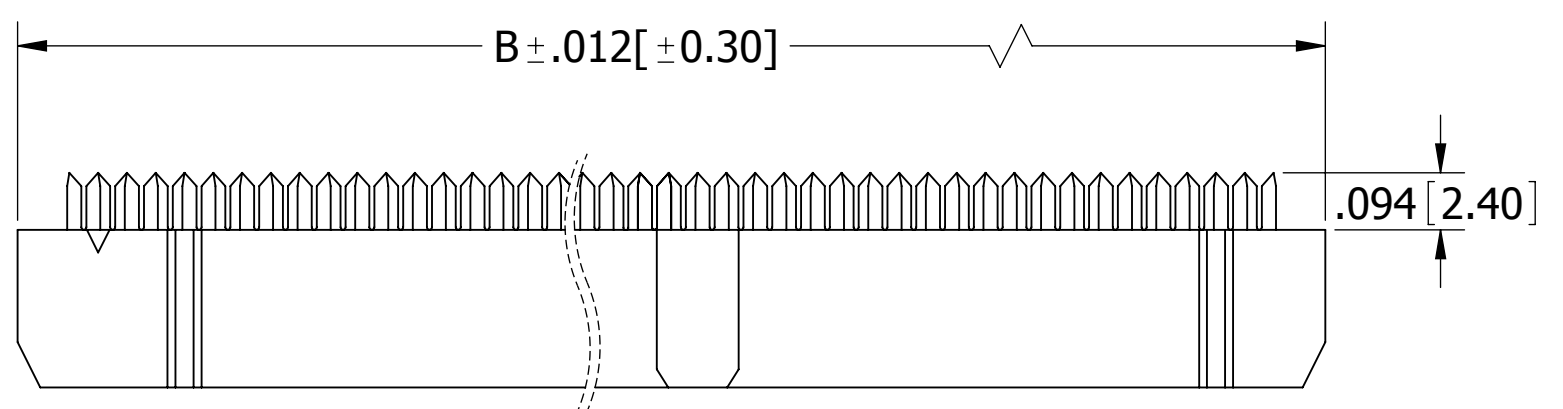
REV.	ECO. NO	DESCRIPTION	DATE	BY
A	1930	INITIAL RELEASE	3/17/2009	JH
B	2159	UPDATE FLAT RIBBON CABLE SPEC.	07/05/2010	LH
C	3374	REMOVE 30 AND 32 POSITION OF DIMENSION .047[1.20] ON PAGE 2	02/01/2016	LH



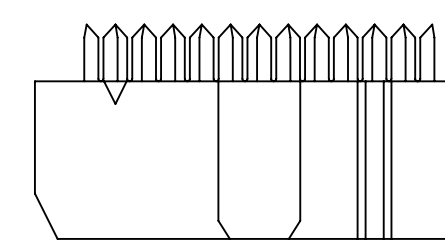
(POSITION 03)



(POSITION 05)

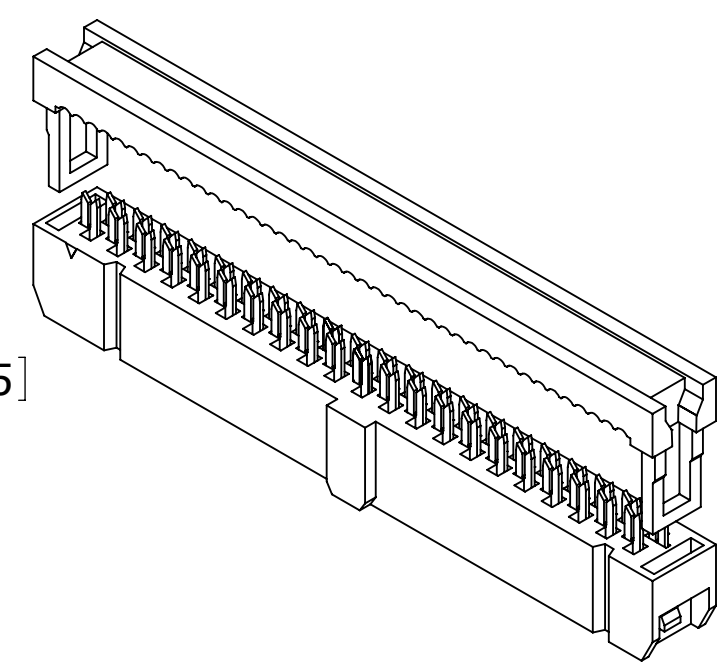
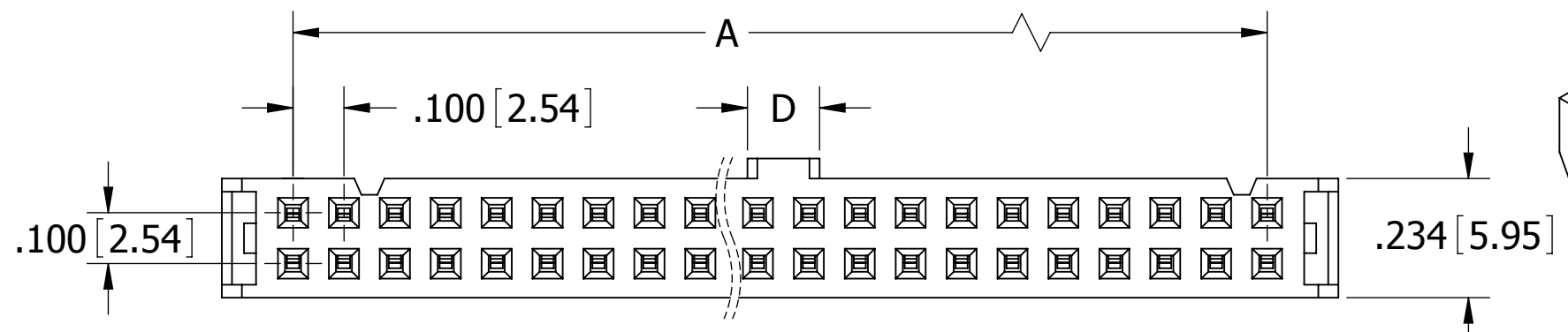


(POSITION 04)



(POSITION 06)

(POSITION 07 THRU 25)



PART NUMBER	POSITIONS/ CONTACTS	A		B		D	
		INCH	MM	INCH	MM	INCH	MM
SFH210-PP_C-D03-ID-BK	03/06	0.200	5.08	0.480	12.18	0.075	1.90
SFH210-PP_C-D04-ID-BK	04/08	0.300	7.62	0.580	14.72		
SFH210-PP_C-D05-ID-BK	05/10	0.400	10.16	0.680	17.26	0.142	3.60
SFH210-PP_C-D06-ID-BK	06/12	0.500	12.70	0.780	19.80		
SFH210-PP_C-D07-ID-BK	07/14	0.600	15.24	0.880	22.34		
SFH210-PP_C-D08-ID-BK	08/16	0.700	17.78	0.980	24.88		
SFH210-PP_C-D09-ID-BK	09/18	0.800	20.32	1.080	27.42		
SFH210-PP_C-D10-ID-BK	10/20	0.900	22.86	1.180	29.96		
SFH210-PP_C-D12-ID-BK	12/24	1.100	27.94	1.380	35.04		
SFH210-PP_C-D13-ID-BK	13/26	1.200	30.48	1.480	37.58		
SFH210-PP_C-D15-ID-BK	15/30	1.400	35.56	1.680	42.66		
SFH210-PP_C-D17-ID-BK	17/34	1.600	40.64	1.880	47.74		
SFH210-PP_C-D18-ID-BK	18/36	1.700	43.18	1.985	50.43		
SFH210-PP_C-D20-ID-BK	20/40	1.900	48.26	2.180	55.36		
SFH210-PP_C-D22-ID-BK	22/44	2.100	53.34	2.387	60.64		
SFH210-PP_C-D25-ID-BK	25/50	2.400	60.96	2.680	68.06		
POSITION 30 & 32:	30/60	SEE SHEET 2 FOR DIMENSIONS					
SEE SHEET 2 FOR P/N	32/64						

- NOTES:**
- INSULATOR MATERIAL: PBT 30% GLASS FIBER.
 - CONTACT MATERIAL: PHOSPHOR BRONZE.
 - OPERATING TEMPERATURE: -40 °C TO +105 °C.
 - UL FLAMMABILITY RATING: 94V-0.
 - CURRENT RATING: 1 AMP PER CONTACT.
 - INSULATION RESISTANCE: 3,000 MEGOHMS MIN.
 - CONTACT RESISTANCE: 30m OHMS MAX.
 - DIELECTRIC WITHSTANDING: 500 V AC.
 - MATES WITH SBH11 SERIES
 - FOR .050"[1.27mm] PITCH FLAT RIBBON CABLE, 26 - 28 AWG WIRE RANGE.



UNLESS OTHERWISE SPECIFIED: DIMENSIONS ARE IN INCHES [MM]

TOLERANCES:
ANGULAR: ± 1°
DECIMALS
.XX=± .01 [3]
.XXX=± .008 [20]
.XXXX=± .0040 [100]

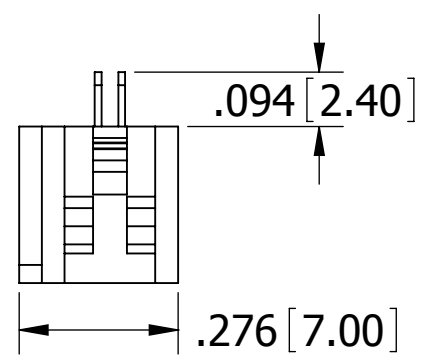
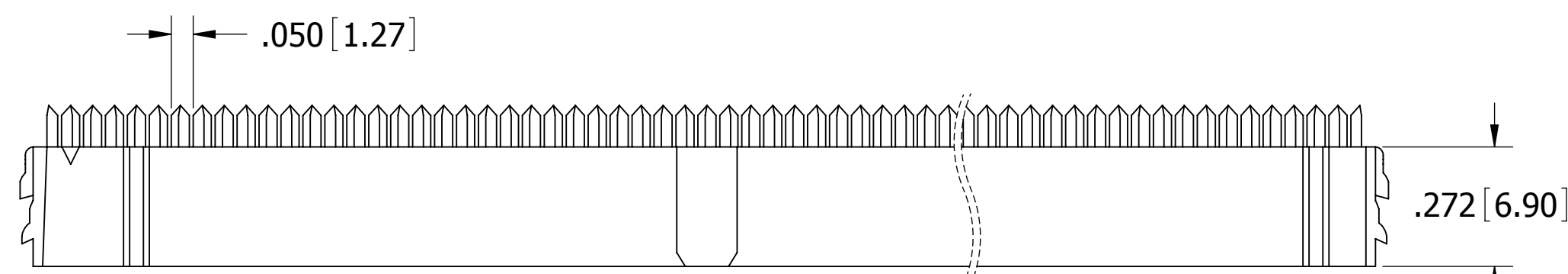
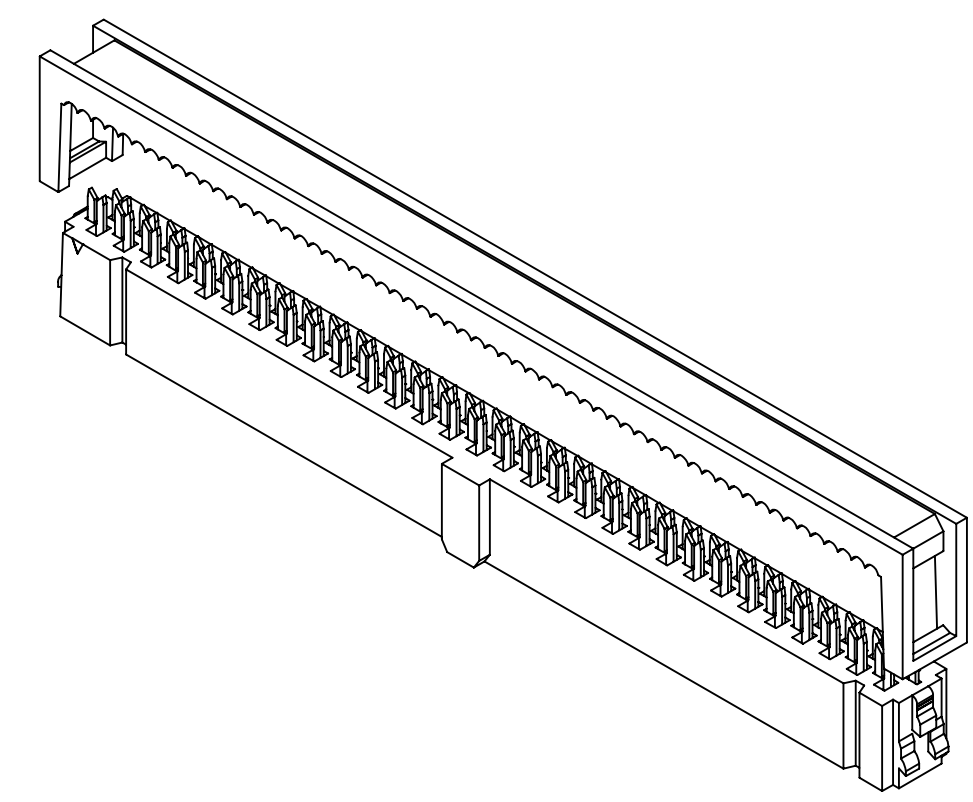
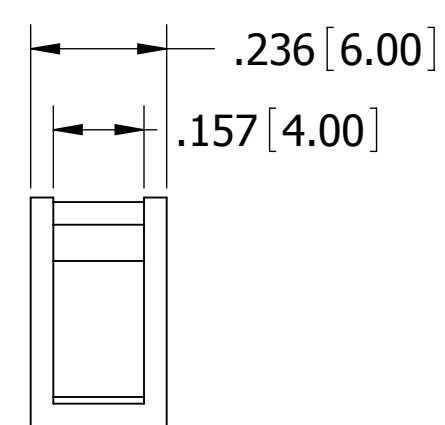
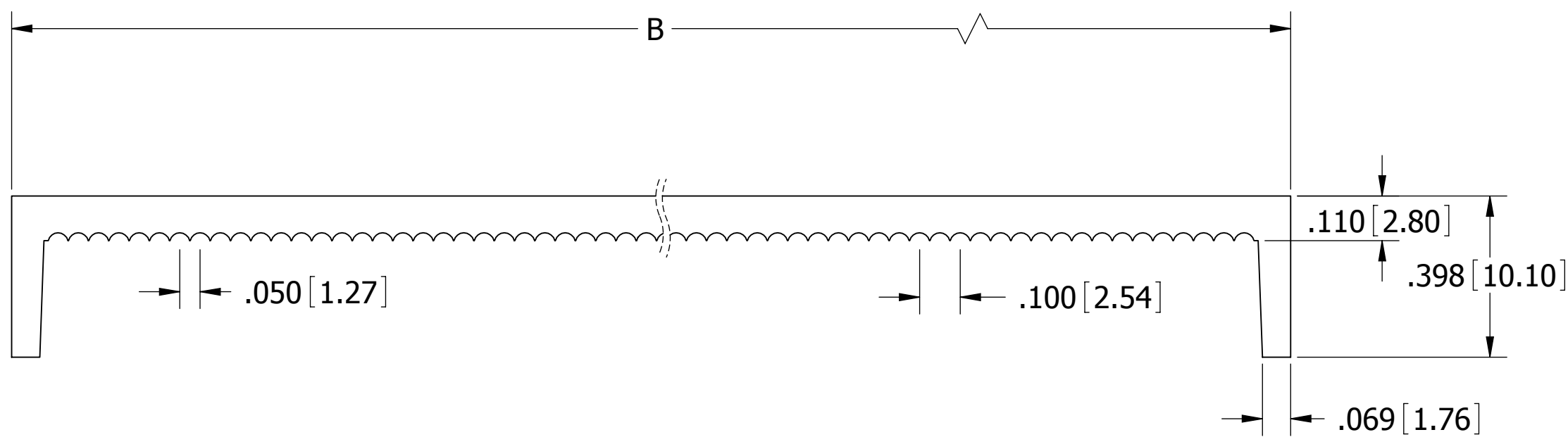
DRAWN: 03/17/2009 JH
DATE: 03/17/2009
NAME: JH

SULLINS
CONNECTOR SOLUTIONS

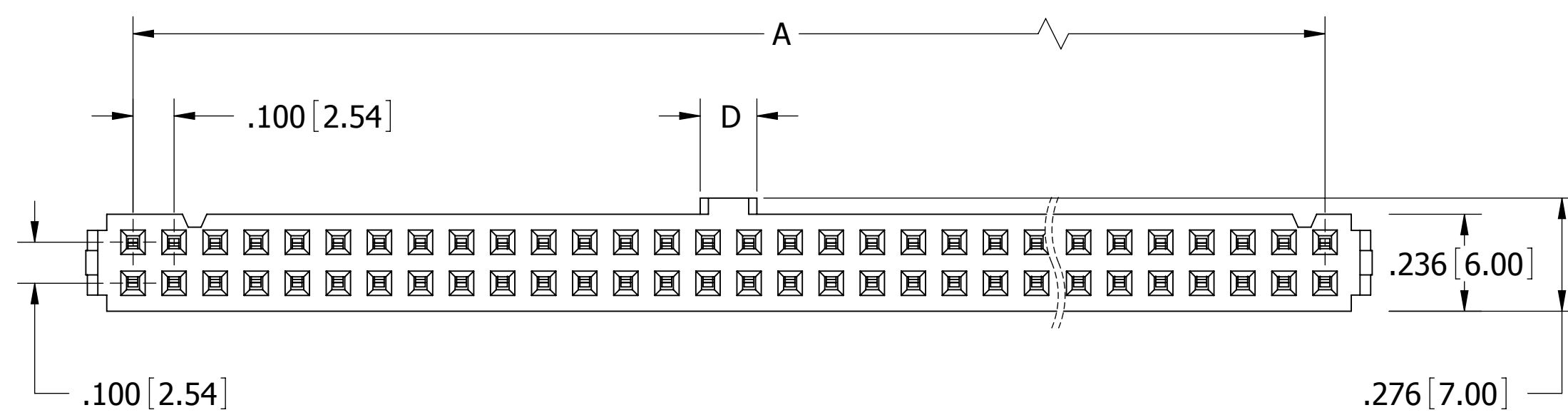
TITLE: IDC SOCKET, .100" CC/RS
PART NUMBER: SFH210-PP_C-D_-ID-BK

SIZE: C
CAGE CODE: 54453
DWG. NO.: 11222
REV: C

SCALE: 2:1
SHEET 1 OF 2



(POSITION 30 & 32)



PART NUMBER	POSITIONS/ CONTACTS	A		B		D	
		INCH	MM	INCH	MM	INCH	MM
POSITION 03 THRU 25: SEE SHEET 1 FOR PART NUMBERS	03/06	SEE SHEET 1 FOR DIMENSIONS					
	04/08						
	05/10						
	06/12						
	07/14						
	08/16						
	09/18						
	10/20						
	12/24						
	13/26						
	15/30						
	17/34						
20/40							
25/50							
SFH210-PP_C-D30-ID-BK	30/60	2.900	73.66	3.179	80.74	0.138	3.50
SFH210-PP_C-D32-ID-BK	32/64	3.100	78.74	3.379	85.82		

- NOTES:
1. INSULATOR MATERIAL: PBT 30% GLASS FIBER.
 2. CONTACT MATERIAL: PHOSPHOR BRONZE.
 3. OPERATING TEMPERATURE: -40 °C TO +105 °C.
 4. UL FLAMMABILITY RATING: 94V-0.
 5. CURRENT RATING: 1 AMP PER CONTACT.
 6. INSULATION RESISTANCE: 3,000 MEGOHMS MIN.
 7. CONTACT RESISTANCE: 30m OHMS MAX.
 8. DIELECTRIC WITHSTANDING: 500 V AC.
 9. MATES WITH SBH11 SERIES
 10. FOR .050"[1.27mm] PITCH FLAT RIBBON CABLE, 26 - 28 AWG WIRE RANGE.



UNLESS OTHERWISE SPECIFIED:
DIMENSIONS ARE IN INCHES [MM]

TOLERANCES:

ANGULAR: ± 1°

DECIMALS
.XX=± .01 [.3]
.XXX=± .008 [.20]
.XXXX=± .0040 [.100]

DRAWN	DATE	NAME		
	03/17/2009	JH		
<small>THE INFORMATION HEREIN CONTAINS PROPRIETARY INFORMATION OF SULLINS ELECTRONICS AND IS NOT TO BE REPRODUCED, USED OR DISCLOSED TO OTHERS FOR ANY PURPOSE EXCEPT AS SPECIFICALLY AUTHORIZED IN WRITING BY AN OFFICER OF SULLINS ELECTRONICS.</small>			TITLE IDC SOCKET, .100" CC/RS	
			PART NUMBER SFH210-PP_C-D__-ID-BK	
SIZE	CAGE CODE	DWG. NO.	REV	
C	54453	11222	C	
SCALE: 2:1		SHEET 2 OF 2		