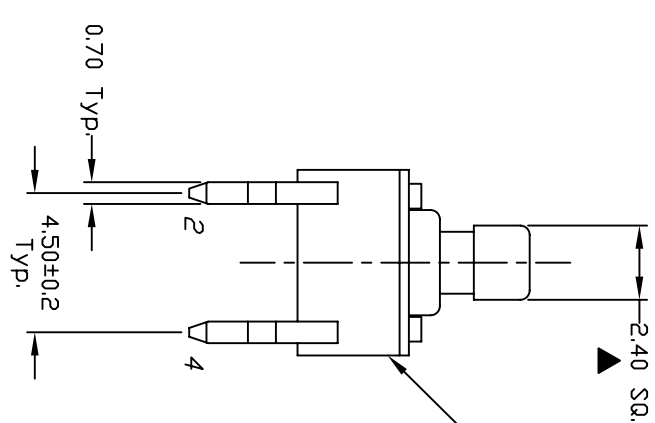
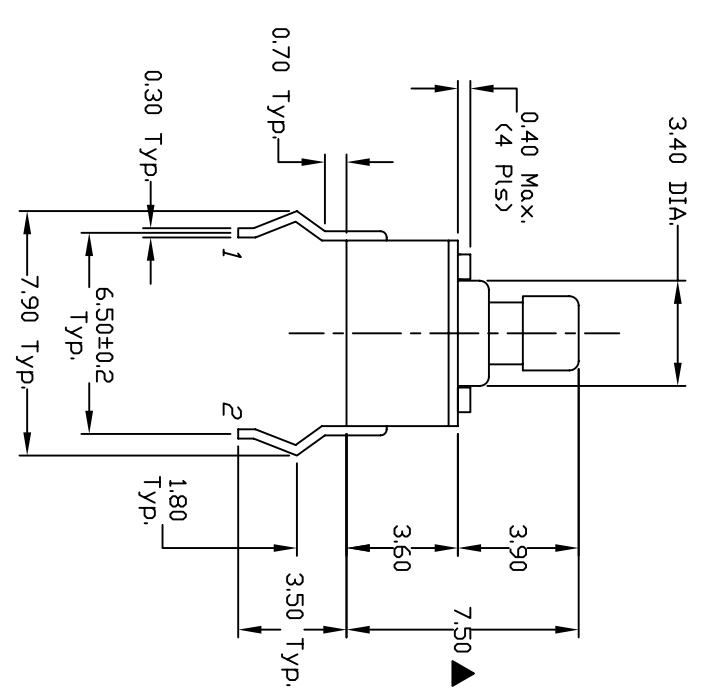
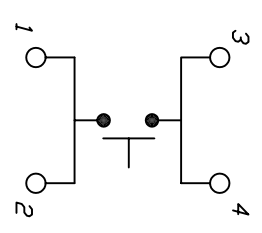


RECOMMEND P.C.B. LAYOUT

- NOTES:
1. ALL DIMENSIONS IN MM
 2. GENERAL TOLERANCE: 0.0=±0.4
0.00=±0.25
 3. TERM. NOS. FOR REF. ONLY
 4. RATING: 50mA, @12V DC
 5. TRAVEL: 0.25±0.1mm
 6. OPERATING FORCE: 160±50gf
 7. CONTACT RESISTANCE: 100 milliohms Max.
 8. ELECTRICAL LIFE: 100,000 CYCLES MIN.
 9. MATERIAL: GOLD
 10. ▲ DENOTES CRITICAL PARAMETER.



▲ USE GOLD D DOME P9990005



CIRCUIT: SPST
CONTACT CONFIGURATION

B	16089	ADD GOLD DOME NOTE	6/5/06	CT
A	13726	RELEASED FOR PRODUCTION	1/21/04	AR
REV.	ECN No.	DESCRIPTION	DATE	CHKD

TITLE		SCALE		DATE		DR		DWG		REV	
TL 1105 T F160 R		4:1		1/21/04		AR		P010229		B	



THE INFORMATION CONTAINED IN THIS DOCUMENT IS PROPRIETARY TO E-SWITCH AND IS NOT TO BE COPIED OR TRANSFERRED