



Is Now Part of



ON Semiconductor®

To learn more about ON Semiconductor, please visit our website at
www.onsemi.com

ON Semiconductor and the ON Semiconductor logo are trademarks of Semiconductor Components Industries, LLC dba ON Semiconductor or its subsidiaries in the United States and/or other countries. ON Semiconductor owns the rights to a number of patents, trademarks, copyrights, trade secrets, and other intellectual property. A listing of ON Semiconductor's product/patent coverage may be accessed at www.onsemi.com/site/pdf/Patent-Marking.pdf. ON Semiconductor reserves the right to make changes without further notice to any products herein. ON Semiconductor makes no warranty, representation or guarantee regarding the suitability of its products for any particular purpose, nor does ON Semiconductor assume any liability arising out of the application or use of any product or circuit, and specifically disclaims any and all liability, including without limitation special, consequential or incidental damages. Buyer is responsible for its products and applications using ON Semiconductor products, including compliance with all laws, regulations and safety requirements or standards, regardless of any support or applications information provided by ON Semiconductor. "Typical" parameters which may be provided in ON Semiconductor data sheets and/or specifications can and do vary in different applications and actual performance may vary over time. All operating parameters, including "Typicals" must be validated for each customer application by customer's technical experts. ON Semiconductor does not convey any license under its patent rights nor the rights of others. ON Semiconductor products are not designed, intended, or authorized for use as a critical component in life support systems or any FDA Class 3 medical devices or medical devices with a same or similar classification in a foreign jurisdiction or any devices intended for implantation in the human body. Should Buyer purchase or use ON Semiconductor products for any such unintended or unauthorized application, Buyer shall indemnify and hold ON Semiconductor and its officers, employees, subsidiaries, affiliates, and distributors harmless against all claims, costs, damages, and expenses, and reasonable attorney fees arising out of, directly or indirectly, any claim of personal injury or death associated with such unintended or unauthorized use, even if such claim alleges that ON Semiconductor was negligent regarding the design or manufacture of the part. ON Semiconductor is an Equal Opportunity/Affirmative Action Employer. This literature is subject to all applicable copyright laws and is not for resale in any manner.



March 2016

FOD8163, FOD8163T

3.3 V / 5 V, 10 Mbit/sec, Logic Gate Optocoupler in Stretched Body SOP 6-Pin

Features

- 8 mm Creepage and Clearance Distance, and 0.4 mm Insulation Distance to Achieve Reliable and High Voltage Insulation
- High Noise Immunity Characterized by Common Mode Transient Immunity (CMTI)
 - 20 kV/ μ s Minimum CMTI
- Specifications Guaranteed Over 3 V to 5.5 V Supply Voltage and -40°C to 100°C Extended Industrial Temperature Range
- High-Speed, 10 Mbit/s Data Rate (NRZ)
- Safety and Regulatory Approvals
 - UL1577, 5,000 VAC_{RMS} for 1 Minute
 - DIN-EN/IEC60747-5-5, 1,140 V Peak Working Immunity Insulation Voltage

Applications

- Isolating Intelligent Power Module
- Isolating Industrial Communication Interface

Related Resources

- www.fairchildsemi.com/products/optoelectronics/
- www.fairchildsemi.com/pf/FO/FOD8160.html
- www.fairchildsemi.com/pf/FO/FODM8061.html
- www.fairchildsemi.com/pf/FO/FODM611.html

Description

The FOD8163 series is a 3.3 V / 5 V high-speed logic gate optocoupler with open-collector output, which supports isolated communications allowing digital signals to communicate between systems without conducting ground loops or hazardous voltages.

The FOD8163 series utilizes stretched body package to achieve 8 mm creepage and clearance distances (FOD8163T), and optimized IC design to achieve reliably high-insulation voltage and high-noise immunity.

The FOD8163 series consists of an aluminium gallium arsenide (AlGaAs) light emitting diode and an integrated high-speed photodetector. The output of the detector IC is an open collector schottky-clamped transistor. The electrical and switching characteristics are guaranteed over the extended industrial temperature range of -40°C to 100°C and a V_{CC} range of 3 V to 5.5 V.

Functional Schematic

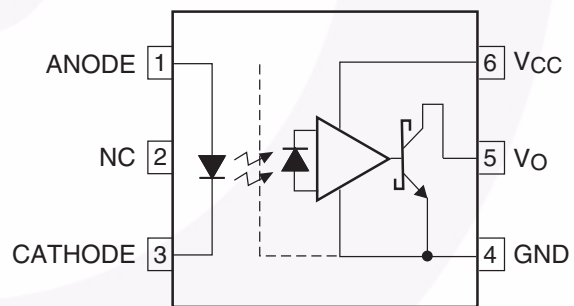


Figure 1. Functional Schematic

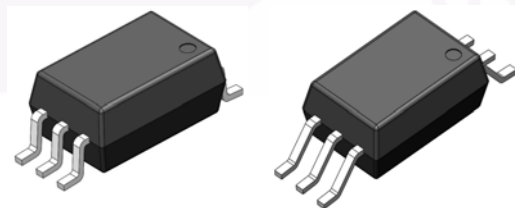


Figure 2. Package Outline

FOD8163, FOD8163T — 3.3 V / 5 V, 10 Mbit/sec, Logic Gate Optocoupler in Stretched Body SOP 6-Pin

Truth Table

| LED | V_O |
|-----|-------|
| Off | HIGH |
| On | LOW |

Pin Definitions

| Pin # | Name | Description |
|-------|----------|-----------------------|
| 1 | ANODE | Anode |
| 2 | NC | Not Connected |
| 3 | CATHODE | Cathode |
| 4 | GND | Output Ground |
| 5 | V_O | Output Voltage |
| 6 | V_{CC} | Output Supply Voltage |

Pin Configuration

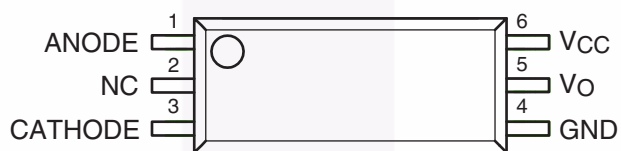


Figure 3. Pin Configuration

Safety and Insulation Ratings

As per DIN EN/IEC60747-5-5, this optocoupler is suitable for “safe electrical insulation” only within the safety limit data. Compliance with the safety ratings shall be ensured by means of protective circuits.

| Parameter | | Characteristics | |
|-------------------------------------------------------------------------------------|------------------------|-----------------|-----------|
| | | FOD8163 | FOD8163T |
| Installation Classifications per DIN VDE 0110/1.89 Table 1, For Rated Mains Voltage | < 150 V _{RMS} | I-IV | I-IV |
| | < 300 V _{RMS} | I-IV | I-IV |
| | < 450 V _{RMS} | I-III | I-IV |
| | < 600 V _{RMS} | I-III | I-III |
| Climatic Classification | | 40/100/21 | 40/100/21 |
| Pollution Degree (DIN VDE 0110/1.89) | | 2 | 2 |
| Comparative Tracking Index | | 175 | 175 |

| Symbol | Parameter | Value | | Unit |
|-----------------------|----------------------------------------------------------------------------------------------------------------------------------------------------------------|-----------------|-----------------|-------------------|
| | | FOD8163 | FOD8163T | |
| V _{PR} | Input-to-Output Test Voltage, Method B, V _{IORM} × 1.875 = V _{PR} , 100% Production Test with t _m = 1 s, Partial Discharge < 5 pC | 1,671 | 2,137 | V _{peak} |
| | Input-to-Output Test Voltage, Method A, V _{IORM} × 1.6 = V _{PR} , Type and Sample Test with t _m = 10 s, Partial Discharge < 5 pC | 1,426 | 1,824 | V _{peak} |
| V _{IORM} | Maximum Working Insulation Voltage | 891 | 1,140 | V _{peak} |
| V _{IOTM} | Highest Allowable Over-Voltage | 6,000 | 8,000 | V _{peak} |
| | External Creepage | ≥ 8.0 | ≥ 8.0 | mm |
| | External Clearance | ≥ 7.0 | ≥ 8.0 | mm |
| DTI | Distance Through Insulation (Insulation Thickness) | ≥ 0.08 | ≥ 0.08 | mm |
| T _S | Safety Limit Values – Maximum Values Allowed in the Event of a Failure, Case Temperature | 150 | 150 | °C |
| I _{S,INPUT} | Input Current | 200 | 200 | mA |
| P _{S,OUTPUT} | Output Power | 600 | 600 | mW |
| R _{IO} | Insulation Resistance at T _S , V _{IO} = 500 V | 10 ⁹ | 10 ⁹ | Ω |

Absolute Maximum Ratings

Stresses exceeding the absolute maximum ratings may damage the device. The device may not function or be operable above the recommended operating conditions and stressing the parts to these levels is not recommended. In addition, extended exposure to stresses above the recommended operating conditions may affect device reliability. The absolute maximum ratings are stress ratings only. $T_A = 25^\circ\text{C}$ unless otherwise specified.

| Symbol | Parameter | Value | Unit |
|-------------------------------|------------------------------------------------------------------|-------------------------------|------------------|
| T_{STG} | Storage Temperature | -40 to +125 | $^\circ\text{C}$ |
| T_{OPR} | Operating Temperature | -40 to +100 | $^\circ\text{C}$ |
| T_{J} | Junction Temperature | -40 to +125 | $^\circ\text{C}$ |
| T_{SOL} | Lead Solder Temperature (Refer to Reflow Temperature Profile) | 260 for 10 sec | $^\circ\text{C}$ |
| Input Characteristics | | | |
| I_{F} | Average Forward Input Current | 25 | mA |
| V_{R} | Reverse Input Voltage | 5.0 | V |
| PD_{I} | Input Power Dissipation ⁽¹⁾ | 45 | mW |
| Output Characteristics | | | |
| V_{CC} | Supply Voltage | 0 to 7.0 | V |
| V_{O} | Output Voltage | -0.5 to $V_{\text{CC}} + 0.5$ | V |
| I_{O} | Average Output Current | 50 | mA |
| PD_{O} | Output Power Dissipation ⁽¹⁾ | 85 | mW |

Note:

1. No derating required up to 100°C .

Recommended Operating Conditions

The Recommended Operating Conditions table defines the conditions for actual device operation. Recommended operating conditions are specified to ensure optimal performance to the datasheet specifications. Fairchild does not recommend exceeding them or designing to absolute maximum ratings.

| Symbol | Parameter | Min. | Max. | Unit |
|-----------------|--------------------------------------------------|------|------|------------------|
| T_{A} | Ambient Operating Temperature | -40 | +100 | $^\circ\text{C}$ |
| V_{CC} | Supply Voltages ⁽²⁾ | 3.0 | 5.5 | V |
| V_{FL} | Logic Low Input Voltage | 0 | 0.8 | V |
| I_{FL} | Logic Low Input Current | | 250 | μA |
| I_{FH} | Logic High Input Current | 6.0 | 15 | mA |
| N | Fan Out (at $R_{\text{L}} = 1 \text{ k}\Omega$) | | 5 | TTL loads |
| R_{L} | Output Pull-up Resistor | 330 | 4000 | Ω |

Note:

2. 0.1 μF bypass capacitor must be connected between pins 4 and 6.

Isolation Characteristics

Apply over all recommended conditions, typical value is measured at $T_A = 25^\circ\text{C}$.

| Symbol | Parameter | Conditions | Min. | Typ. | Max. | Unit |
|------------------|--------------------------------|--------------------------------------------------------------------------------------------------------------|-------|-----------|------|---------------------------|
| V_{ISO} | Input-Output Isolation Voltage | $T_A = 25^\circ\text{C}$, R.H. < 50%, $t = 1.0$ min, $I_{\text{I-O}} \leq 20 \mu\text{A}$ ⁽³⁾⁽⁴⁾ | 5,000 | | | VAC_{RMS} |
| R_{ISO} | Isolation Resistance | $V_{\text{I-O}} = 500 \text{ V}$ ⁽³⁾ | | 10^{11} | | Ω |
| C_{ISO} | Isolation Capacitance | $V_{\text{I-O}} = 0 \text{ V}$, frequency = 1.0 MHz ⁽³⁾ | | 1.0 | | pF |

Notes:

- Device is considered a two-terminal device: pins 1, 2 and 3 are shorted together and pins 4, 5, and 6 are shorted together.
- 5,000 VAC_{RMS} for 1-minute duration is equivalent to 6,000 VAC_{RMS} for 1-second duration.

Electrical Characteristics

Apply over all recommended conditions; $T_A = -40^\circ\text{C}$ to $+100^\circ\text{C}$, $3.0 \text{ V} \leq V_{\text{CC}} \leq 5.5 \text{ V}$; unless otherwise specified. Typical value is measured at $T_A = 25^\circ\text{C}$ and $V_{\text{CC}} = 3.3 \text{ V}$ or $V_{\text{CC}} = 5 \text{ V}$.

| Symbol | Parameter | Conditions | Min. | Typ. | Max. | Unit | Figure |
|-------------------------------|--------------------------------------------|----------------------------------------------------------------------------------------|------|------|------|---------------|--------|
| Input Characteristics | | | | | | | |
| V_F | Forward Voltage | $I_F = 10 \text{ mA}$ | 1.05 | 1.45 | 1.80 | V | 4 |
| $\Delta(V_F / T_A)$ | Temperature Coefficient of Forward Voltage | | | -1.8 | | mV/°C | |
| BV_R | Input Reverse Breakdown Voltage | $I_R = 10 \mu\text{A}$ | 5.0 | | | V | |
| I_{FHL} | Threshold Input Current | $V_O = 0.6 \text{ V}$, $I_{\text{OL}}(\text{sink}) = 13 \text{ mA}$ | | 2.0 | 6.0 | mA | 5 |
| Output Characteristics | | | | | | | |
| V_{OL} | Logic Low Output Voltage | $I_F = \text{rated } I_{\text{FHL}}$, $I_{\text{OL}}(\text{sink}) = 13 \text{ mA}$ | | 0.4 | 0.6 | V | 6 |
| I_{OH} | Logic High Output Current | $I_F = 250 \mu\text{A}$, $V_O = 3.3 \text{ V}$ | | 8.0 | 50.0 | μA | 7 |
| | | $I_F = 250 \mu\text{A}$, $V_O = 5.0 \text{ V}$ | | 3.0 | 40.0 | μA | 7 |
| I_{CCL} | Logic Low Output Supply Current | $I_F = 10 \text{ mA}$, $V_{\text{CC}} = 3.3 \text{ V}$ | | 5.3 | 8.5 | mA | 8, 10 |
| | | $I_F = 10 \text{ mA}$, $V_{\text{CC}} = 5.0 \text{ V}$ | | 7.1 | 10.0 | mA | 8, 10 |
| I_{CCH} | Logic High Output Supply Current | $I_F = 0 \text{ mA}$, $V_{\text{CC}} = 3.3 \text{ V}$ | | 3.5 | 7.0 | mA | 9, 10 |
| | | $I_F = 0 \text{ mA}$, $V_{\text{CC}} = 5.0 \text{ V}$ | | 5.3 | 9.0 | mA | 9, 10 |

Switching Characteristics

Apply over all recommended conditions; $T_A = -40^\circ\text{C}$ to $+100^\circ\text{C}$, $3.3\text{ V} \leq V_{CC} \leq 5\text{ V}$, $I_F = 6.0\text{ mA}$; unless otherwise specified. Typical value is measured at $T_A = 25^\circ\text{C}$ and $V_{CC} = 3.3\text{ V}$.

| Symbol | Parameter | Conditions | Min. | Typ. | Max. | Unit | Figure |
|-----------|-----------------------------------------------|----------------------------------------------------------------------------------------|------|------|------|-------------------|------------|
| Data Rate | | $R_L = 350\ \Omega$ | | | 10 | Mbit/sec | |
| t_{PHL} | Propagation Delay to Logic Low Output | $R_L = 350\ \Omega$, $C_L = 15\text{ pF}$ | | 42 | 80 | ns | 11, 13, 16 |
| t_{PLH} | Propagation Delay to Logic High Output | $R_L = 350\ \Omega$, $C_L = 15\text{ pF}$ | | 53 | 90 | ns | 11, 13, 16 |
| PWD | Pulse Width Distortion, $ t_{PHL} - t_{PLH} $ | $R_L = 350\ \Omega$, $C_L = 15\text{ pF}$ | | 11 | 35 | ns | 12, 14, 16 |
| t_{PSK} | Propagation Delay Skew | $R_L = 350\ \Omega$, $C_L = 15\text{ pF}$ ⁽⁵⁾ | | | 40 | ns | |
| t_R | Output Rise Time (10% to 90%) | $R_L = 350\ \Omega$, $C_L = 15\text{ pF}$ | | 20 | | ns | 15, 16 |
| t_F | Output Fall Time (90% to 10%) | $R_L = 350\ \Omega$, $C_L = 15\text{ pF}$ | | 10 | | ns | 15, 16 |
| $ CM_H $ | Common-Mode Transient Immunity at Output High | $I_F = 0\text{ mA}$, $V_O > 2\text{ V}$, $V_{CM} = 1500\text{ V}$ ⁽⁶⁾ | 20 | 40 | | kV/ μs | 17 |
| $ CM_L $ | Common-Mode Transient Immunity at Output Low | $I_F = 6.0\text{ mA}$, $V_O < 0.8\text{ V}$, $V_{CM} = 1500\text{ V}$ ⁽⁶⁾ | 20 | 40 | | kV/ μs | 17 |

Notes:

- t_{PSK} is equal to the magnitude of the worst-case difference in t_{PHL} and/or t_{PLH} between any two units from the same manufacturing date code that are operated at same case temperature ($\pm 5^\circ\text{C}$), at same operating conditions, with equal loads ($R_L = 350\ \Omega$, $C_L = 15\text{ pF}$), and with an input rise time less than 5 ns.
- Common-mode transient immunity at output HIGH is the maximum tolerable positive dV_{cm}/dt on the leading edge of the common-mode impulse signal, V_{CM} , to assure that the output remains HIGH. Common-mode transient immunity at output LOW is the maximum tolerable negative dV_{cm}/dt on the trailing edge of the common pulse signal, V_{CM} , to assure that the output remains LOW.

Typical Performance Characteristics

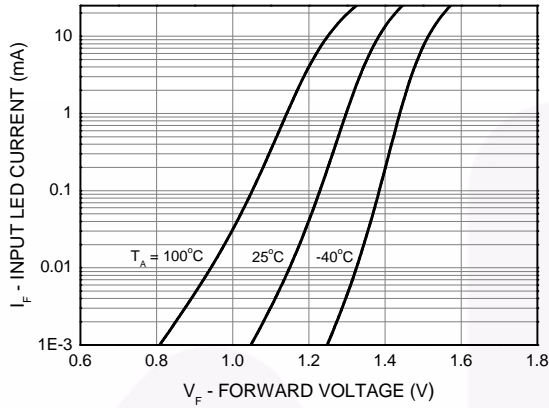


Figure 4. Input LED Current vs. Forward Voltage

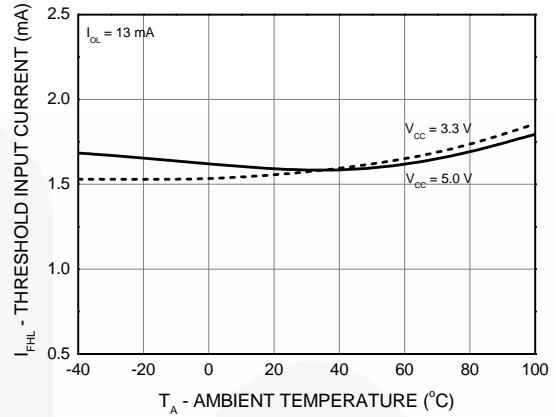


Figure 5. Threshold Input Current vs. Ambient Temperature

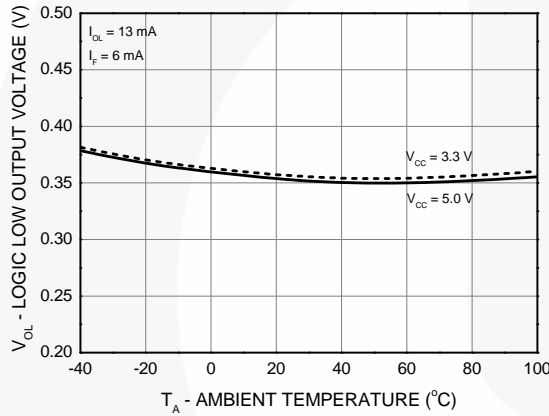


Figure 6. Logic Low Output Voltage vs. Ambient Temperature

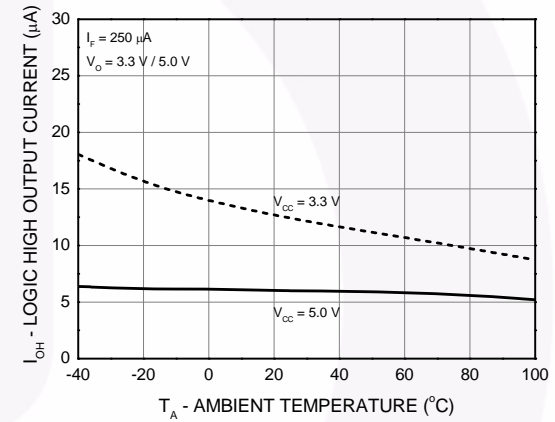


Figure 7. Logic High Output Current vs. Ambient Temperature

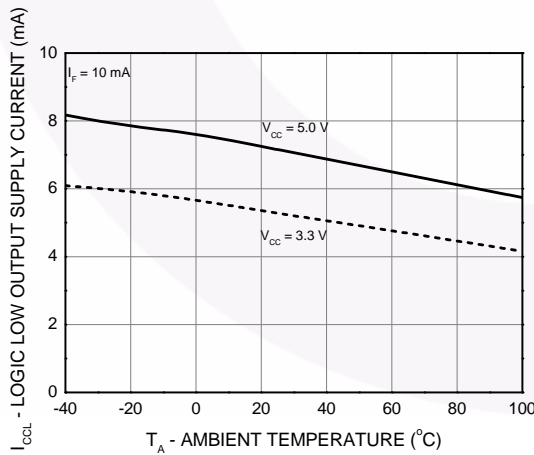


Figure 8. Logic Low Output Supply Current vs. Ambient Temperature

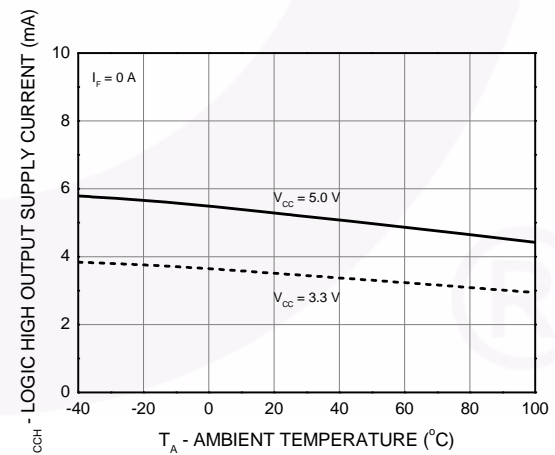


Figure 9. Logic High Output Supply Current vs. Ambient Temperature

Typical Performance Characteristics (Continued)

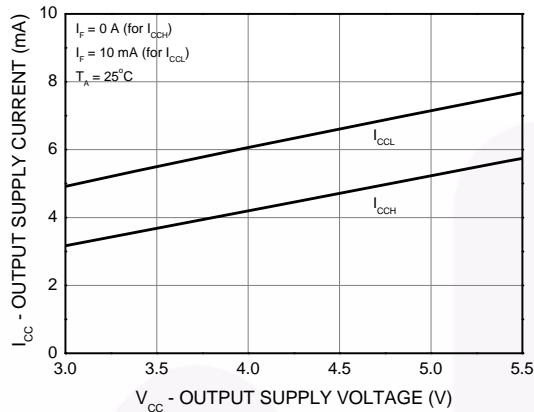


Figure 10. Output Supply Current vs. Output Supply Voltage

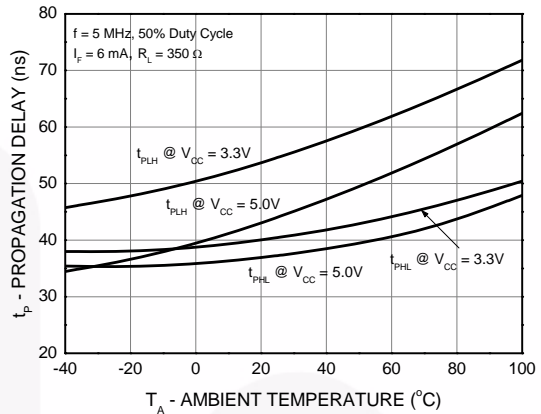


Figure 11. Propagation Delay vs. Ambient Temperature

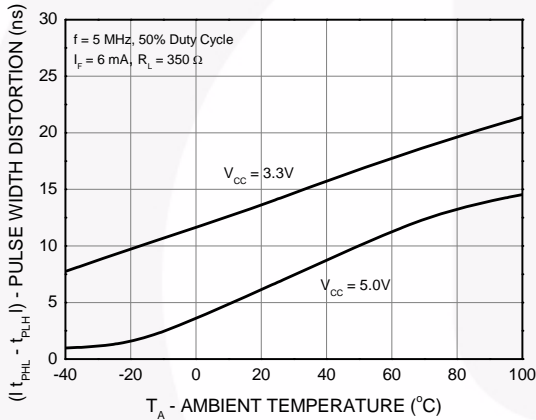


Figure 12. Pulse Width Distortion vs. Ambient Temperature

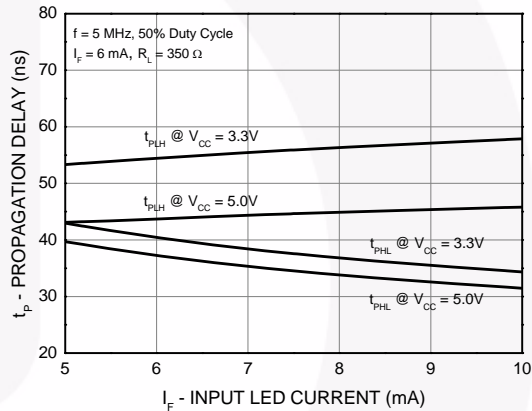


Figure 13. Propagation Delay vs. Input LED Current

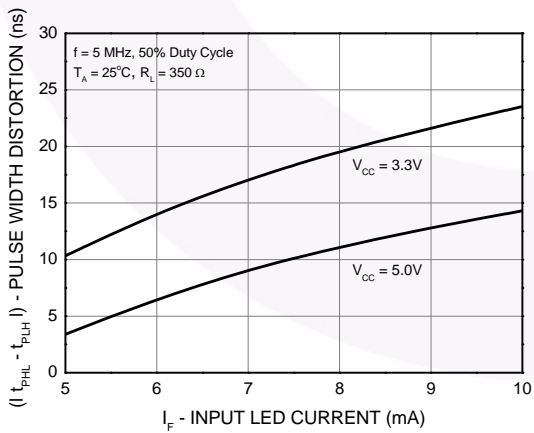


Figure 14. Pulse Width Distortion vs. Input LED Current

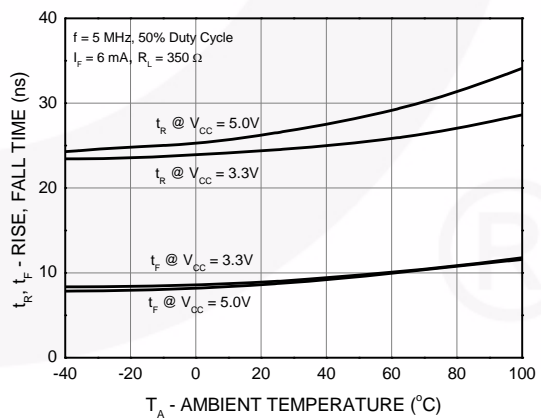


Figure 15. Rise Time and Fall Time vs. Ambient Temperature

Test Circuit

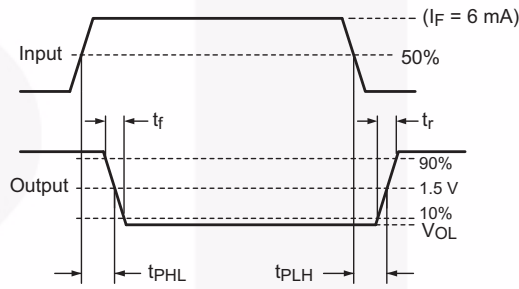
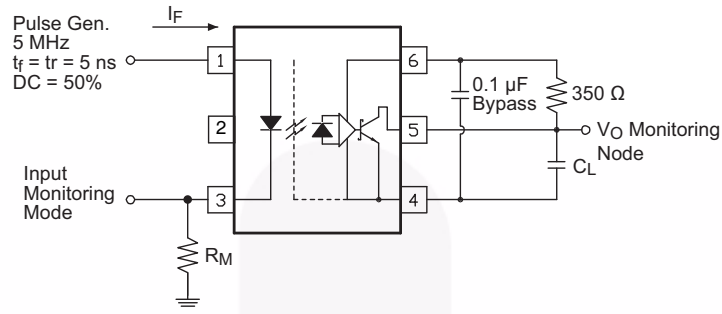


Figure 16. Test Circuit for Propagation Delay, Rise Time, and Fall Time

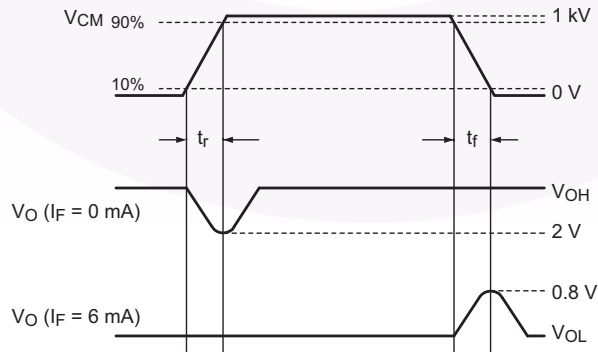
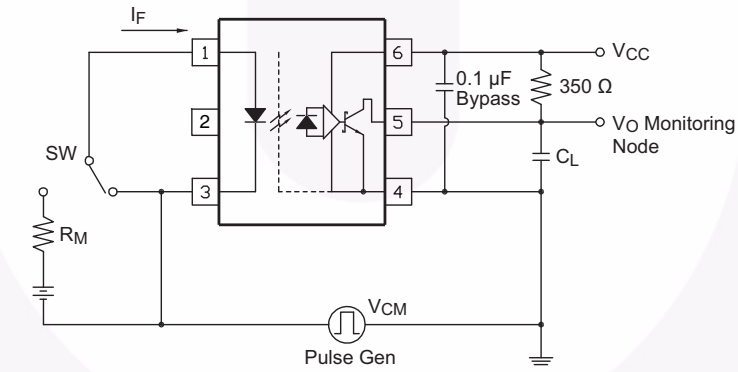
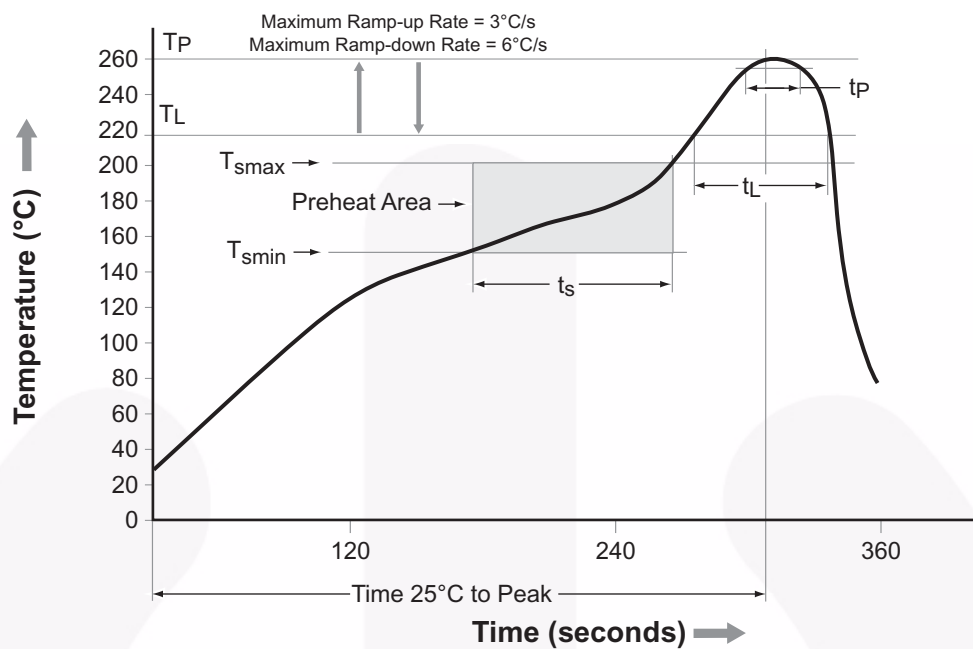


Figure 17. Test Circuit for Instantaneous Common-Mode Rejection Voltage

Reflow Profile




| Profile Feature | Pb-Free Assembly Profile |
|--------------------------------------------------|--------------------------|
| Temperature Minimum (T_{smin}) | 150°C |
| Temperature Maximum (T_{smax}) | 200°C |
| Time (t_s) from (T_{smin} to T_{smax}) | 60 s to 120 s |
| Ramp-up Rate (t_L to t_p) | 3°C/second maximum |
| Liquidous Temperature (T_L) | 217°C |
| Time (t_L) Maintained Above (T_L) | 60 s to 150 s |
| Peak Body Package Temperature | 260°C +0°C / -5°C |
| Time (t_p) within 5°C of 260°C | 30 s |
| Ramp-Down Rate (T_P to T_L) | 6°C/s maximum |
| Time 25°C to Peak Temperature | 8 minutes maximum |

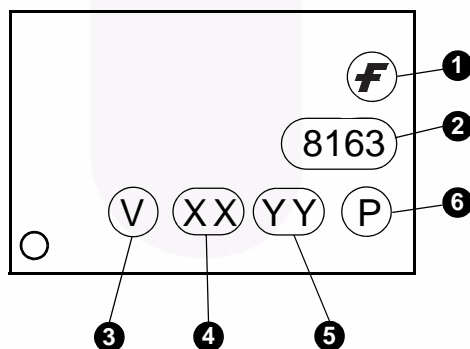
Figure 18. Reflow Profile

Ordering Information

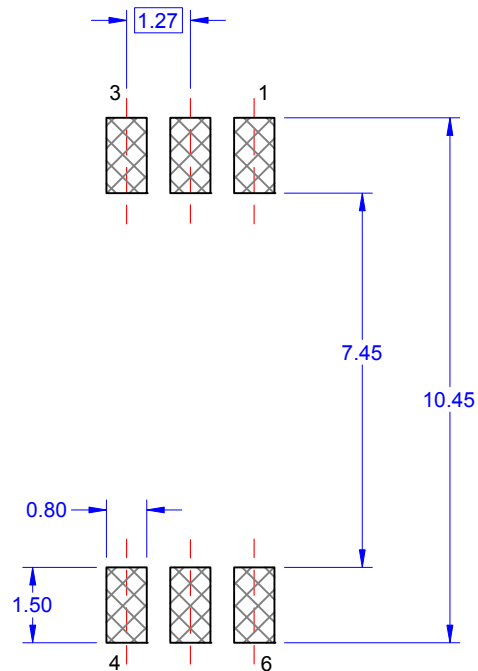
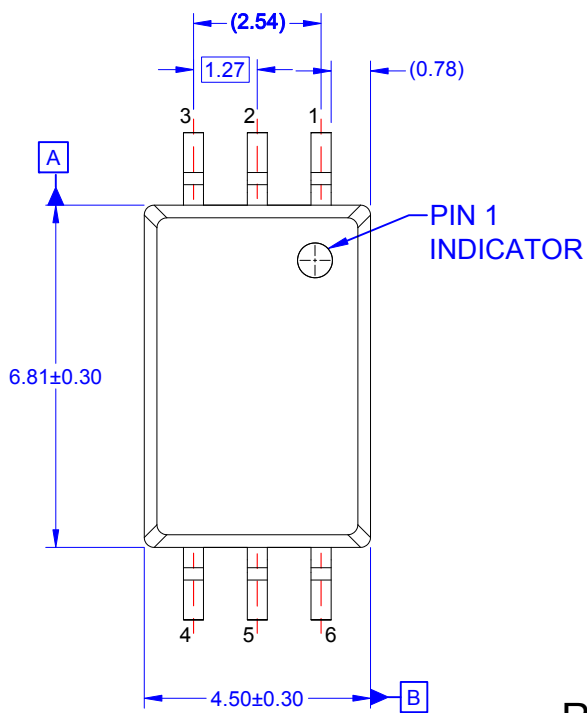
| Part Number | Package | Packing Method |
|-------------|-----------------------------------------------------------------|--------------------------------------|
| FOD8163 | Stretched Body SOP 6-Pin | Tube (100 units per tube) |
| FOD8163R2 | Stretched Body SOP 6-Pin | Tape and Reel (1,000 units per reel) |
| FOD8163V | Stretched Body SOP 6-Pin, DIN EN/IEC60747-5-5 Option | Tube (100 units per tube) |
| FOD8163R2V | Stretched Body SOP 6-Pin, DIN EN/IEC60747-5-5 Option | Tape and Reel (1,000 units per reel) |
| FOD8163T | Stretched Body SOP 6-Pin, Wide Lead | Tube (100 units per tube) |
| FOD8163TR2 | Stretched Body SOP 6-Pin, Wide Lead | Tape and Reel (1,000 units per reel) |
| FOD8163TV | Stretched Body SOP 6-Pin, Wide Lead, DIN EN/IEC60747-5-5 Option | Tube (100 units per tube) |
| FOD8163TR2V | Stretched Body SOP 6-Pin, Wide Lead, DIN EN/IEC60747-5-5 Option | Tape and Reel (1,000 units per reel) |

 All packages are lead free per JEDEC: J-STD-020B standard.

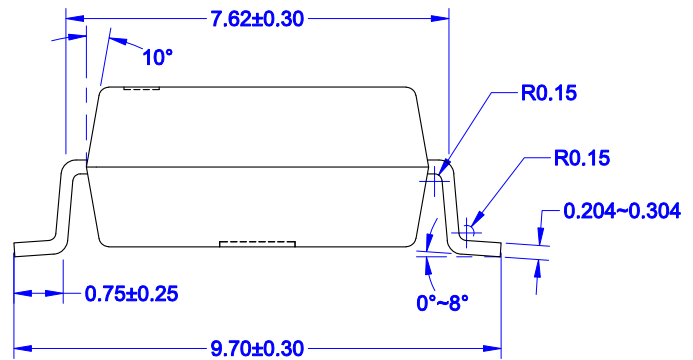
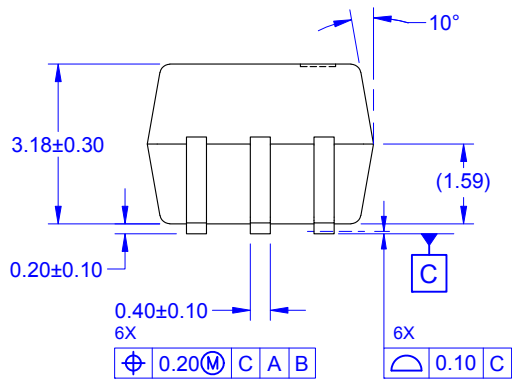
Marking Information



| Definitions | |
|-------------|---------------------------------------------------------------------------------|
| 1 | Fairchild Logo |
| 2 | Device Number, e.g. 8163 |
| 3 | DIN EN/IEC60747-5-5 Option (only appears on component ordered with this option) |
| 4 | One Digit Year Code, e.g. '5' |
| 5 | Two Digit Work Week Ranging from '01' to '53' |
| 6 | Assembly Package Code |



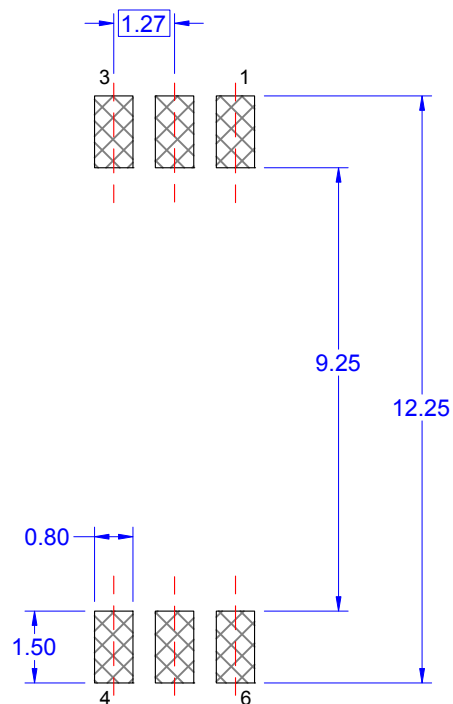
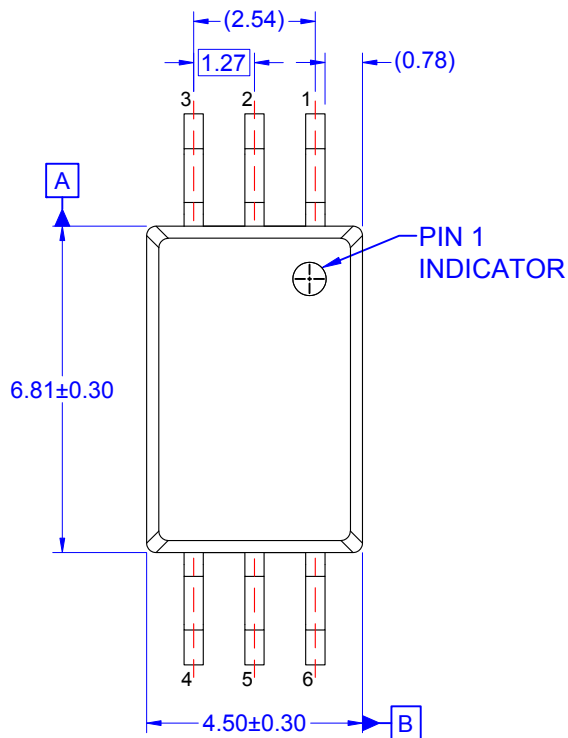
RECOMMENDED LAND PATTERN



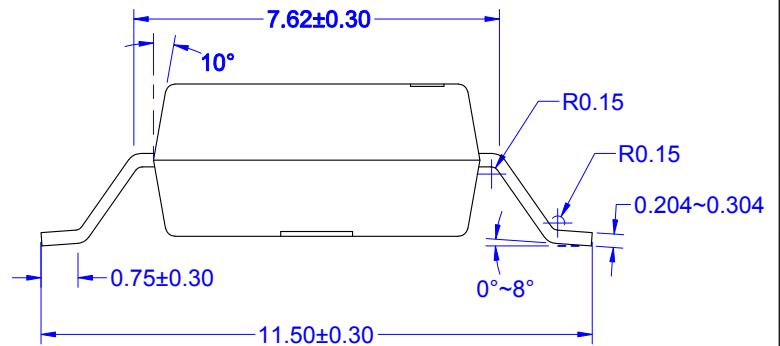
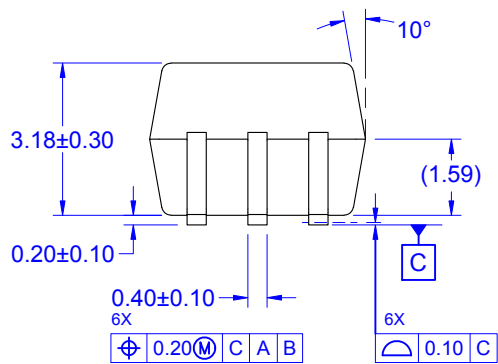
NOTES: UNLESS OTHERWISE SPECIFIED

- A) NO STANDARD APPLIES TO THIS PACKAGE
- B) ALL DIMENSIONS ARE IN MILLIMETERS.
- C) DIMENSIONS DO NOT INCLUDE BURRS OR MOLD FLASH, AND TIE BAR EXTRUSION.
- D) DIMENSIONING AND TOLERANCING PER ASME Y14.5M-2009.
- E) DRAWING FILE NAME: MKT-M06BREV1





RECOMMENDED LAND PATTERN



NOTES: UNLESS OTHERWISE SPECIFIED

- A) NO STANDARD APPLIES TO THIS PACKAGE
- B) ALL DIMENSIONS ARE IN MILLIMETERS.
- C) DIMENSIONS DO NOT INCLUDE BURRS OR MOLD FLASH, AND TIE BAR EXTRUSION.
- D) DIMENSIONING AND TOLERANCING PER ASME Y14.5M-2009.
- E) DRAWING FILE NAME: MKT-M06CREV1



ON Semiconductor and  are trademarks of Semiconductor Components Industries, LLC dba ON Semiconductor or its subsidiaries in the United States and/or other countries. ON Semiconductor owns the rights to a number of patents, trademarks, copyrights, trade secrets, and other intellectual property. A listing of ON Semiconductor's product/patent coverage may be accessed at www.onsemi.com/site/pdf/Patent-Marking.pdf. ON Semiconductor reserves the right to make changes without further notice to any products herein. ON Semiconductor makes no warranty, representation or guarantee regarding the suitability of its products for any particular purpose, nor does ON Semiconductor assume any liability arising out of the application or use of any product or circuit, and specifically disclaims any and all liability, including without limitation special, consequential or incidental damages. Buyer is responsible for its products and applications using ON Semiconductor products, including compliance with all laws, regulations and safety requirements or standards, regardless of any support or applications information provided by ON Semiconductor. "Typical" parameters which may be provided in ON Semiconductor data sheets and/or specifications can and do vary in different applications and actual performance may vary over time. All operating parameters, including "Typicals" must be validated for each customer application by customer's technical experts. ON Semiconductor does not convey any license under its patent rights nor the rights of others. ON Semiconductor products are not designed, intended, or authorized for use as a critical component in life support systems or any FDA Class 3 medical devices or medical devices with a same or similar classification in a foreign jurisdiction or any devices intended for implantation in the human body. Should Buyer purchase or use ON Semiconductor products for any such unintended or unauthorized application, Buyer shall indemnify and hold ON Semiconductor and its officers, employees, subsidiaries, affiliates, and distributors harmless against all claims, costs, damages, and expenses, and reasonable attorney fees arising out of, directly or indirectly, any claim of personal injury or death associated with such unintended or unauthorized use, even if such claim alleges that ON Semiconductor was negligent regarding the design or manufacture of the part. ON Semiconductor is an Equal Opportunity/Affirmative Action Employer. This literature is subject to all applicable copyright laws and is not for resale in any manner.

PUBLICATION ORDERING INFORMATION

LITERATURE FULFILLMENT:

Literature Distribution Center for ON Semiconductor
19521 E. 32nd Pkwy, Aurora, Colorado 80011 USA
Phone: 303-675-2175 or 800-344-3860 Toll Free USA/Canada
Fax: 303-675-2176 or 800-344-3867 Toll Free USA/Canada
Email: orderlit@onsemi.com

N. American Technical Support: 800-282-9855 Toll Free
USA/Canada
Europe, Middle East and Africa Technical Support:
Phone: 421 33 790 2910
Japan Customer Focus Center
Phone: 81-3-5817-1050

ON Semiconductor Website: www.onsemi.com
Order Literature: <http://www.onsemi.com/orderlit>
For additional information, please contact your local
Sales Representative