

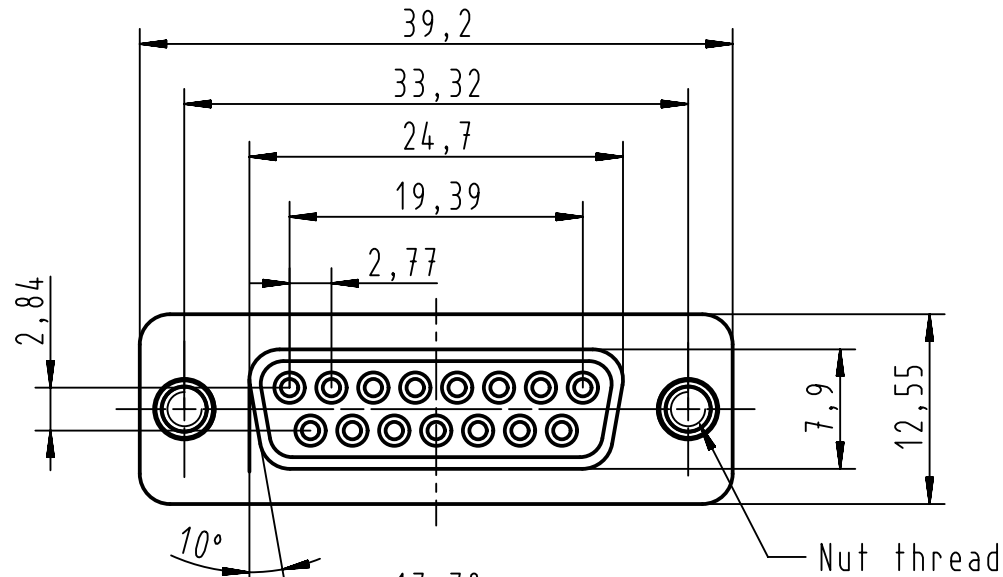
1 2 3 4 5 6

A

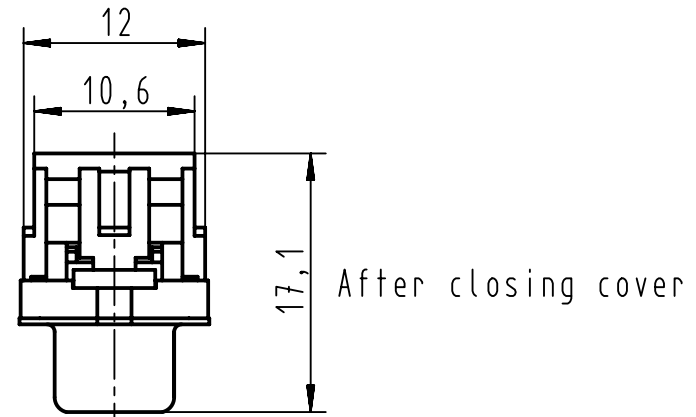
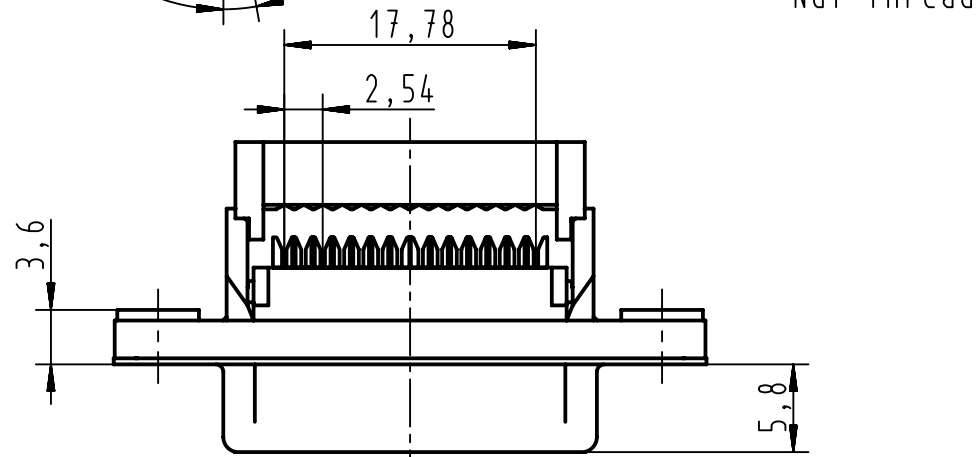
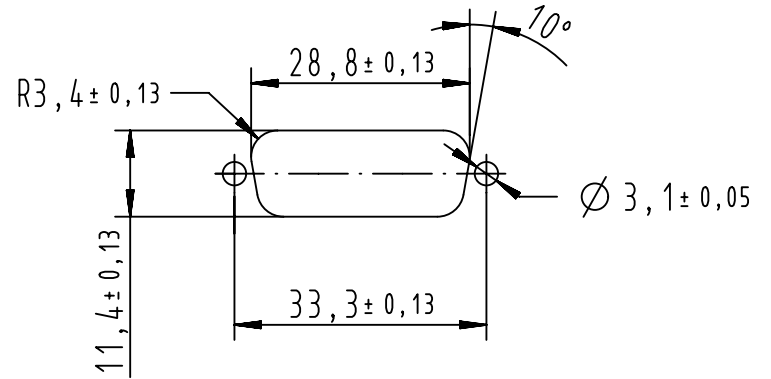
B

C

D



Recommended panel cutout dimensions
for rear mounting
According to CECC 75 301-802



09662187502	PL2	4-40UNC
09662186502	PL3	4-40UNC
09662187501	PL2	M3
09662186501	PL3	M3
Part number	Performance level	Nut thread

	All Dimensions in mm Original Size DIN A4		Scale 2:1	Free size tol.		Ref.		
	All rights reserved		Created by DOUGE	Inspected by BAGDIKIAN	Standardisation HOFFMANN	Date 2013-04-23	State Final Release	
		Department EC PD - FR	Title D-Sub IDC 15P female straight				Doc-Key / ECM-Nr. 100527186/UGD/001/A 5300000858839	
HARTING Electronics GmbH		D-32339 Espelkamp	Type TB	Number 0966218X50X			Rev. A	Page 1/1